

QWCA-D250-7

WRD-250 to L29

Features:
* Low VSWR

Applications:
* Wireless
* Transmitter
* Laboratory Test
* Radar

Electrical

Frequency: 2.5~6GHz
VSWR: 1.5 max.
Insertion Loss: 0.3dB max.

Mechanical

Coax Connectors*1: L29
Waveguide Size: WRD-250
Flange: FPWRD250
Material: Aluminium

[1] Mateable with 7mm.

How To Order

QWCA-D250-X-Y-Z

X : Connector type.

Y : Configuration type.

Z : Flange type if applicable.

Connector naming rules:

7 - L29 Male (Outline A)

7F - L29 Female (Outline A)

Configuration naming rules:

E - End launch

R - Right angle (Outline A)

Flange naming rules:

8 - FPWRD (Outline A)

Examples:

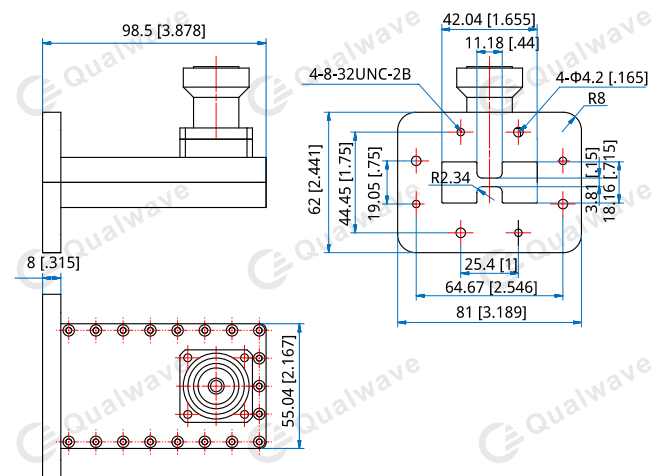
To order a waveguide to coax adapter, WR-D250 to L29 female, right angle, FPWRD, specify QWCA-D250-7F-R-8.

Customization is available upon request.

Environmental

Operating Temperature: -70~+165°C

Outline Drawings



Outline A

Unit: mm [in]

Tolerance: ±0.2mm [±0.008in]