

QWCA-51-S WR-51 to SMA

Features:
* Low VSWR

Applications:
* Wireless
* Transmitter
* Laboratory Test
* Radar

Electrical

Frequency:	14.5~22GHz
VSWR:	1.2 max. 1.3 max. (end launch)
Insertion Loss:	0.3dB max. (end launch)

Mechanical

Coax Connectors:	SMA
Waveguide Size:	WR-51
Flange:	FBP180
Material:	Aluminium

Environmental

Operating Temperature: -70~+165°C

How To Order

QWCA-51-X-Y-Z

X : Connector type.

Y : Configuration type.

Z : Flange type if applicable

Connector naming rules:

S - S Male (Outline A, Outline B)

SF - S Female (Outline A, Outline B)

Configuration naming rules:

E - End launch (Outline B)

R - Right angle (Outline A)

Flange naming rules:

1 - FBP (Outline A, Outline B)

2 - FDP

3 - FBM

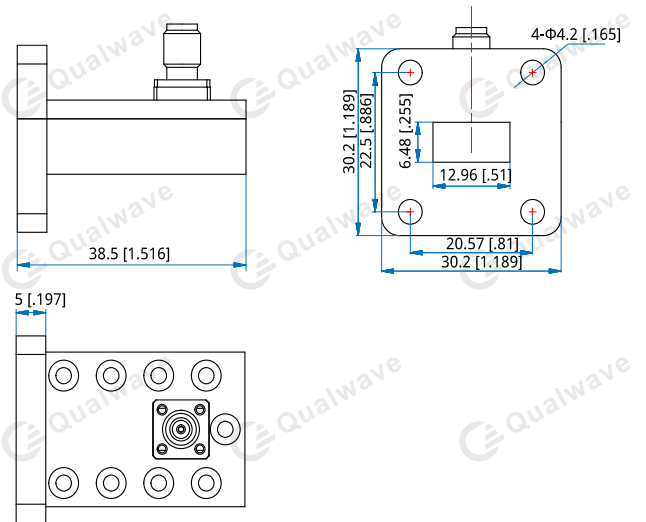
4 - FDM

Examples:

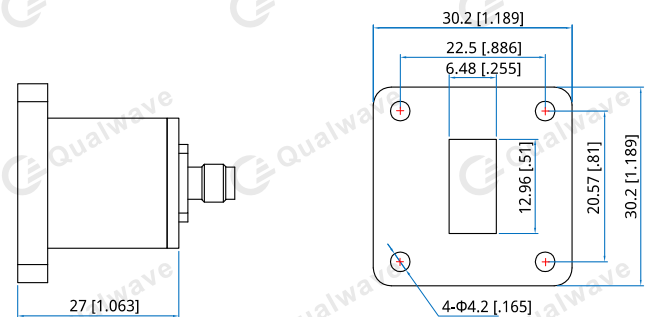
To order a waveguide to coax adapter, WR-51 to SMA female, right angle, FBP, specify QWCA-51-SF-R.

Customization is available upon request.

Outline Drawings



Outline A



Outline B

Unit: mm [in]

Tolerance: ±0.2mm [±0.008in]