

QWCA-284-7 WR-284 to 7/16 DIN

Features:
* Low VSWR

Applications:
* Wireless
* Transmitter
* Laboratory Test
* Radar

Electrical

Frequency: 2.6~3.95GHz
VSWR: 1.2 max.
Insetion Loss: 0.3 max. (Outline A)

Mechanical

Coax Connectors: 7/16 DIN
Waveguide Size: WR-284
Flange: FDP32
Material: Aluminium

Environmental

Operating Temperature: -70~+165°C

How To Order

QWCA-284-X-Y-Z

X : Connector type.

Y : Configuration type.

Z : Flange type if applicable.

Connector naming rules:

7 - 7/16 DIN Male (Outline A, B)

7F - 7/16 DIN Female (Outline A, B)

Configuration naming rules:

E - End launch (Outline A)

R - Right angle (Outline B)

Flange naming rules:

1 - FBP

2 - FDP (Outline A, B)

3 - FBM

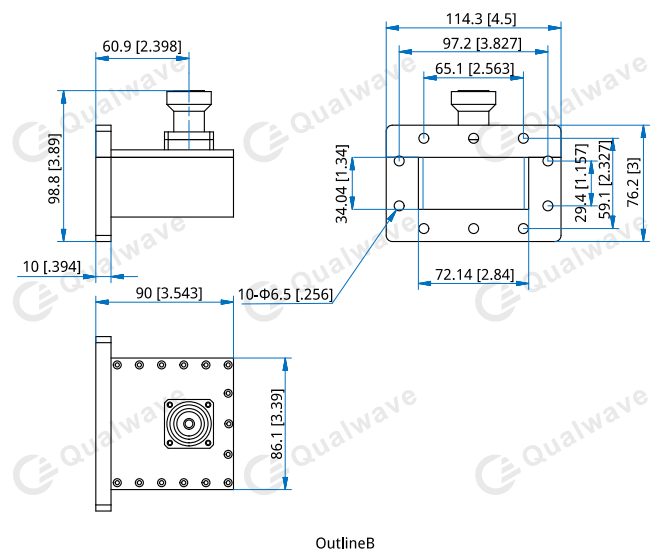
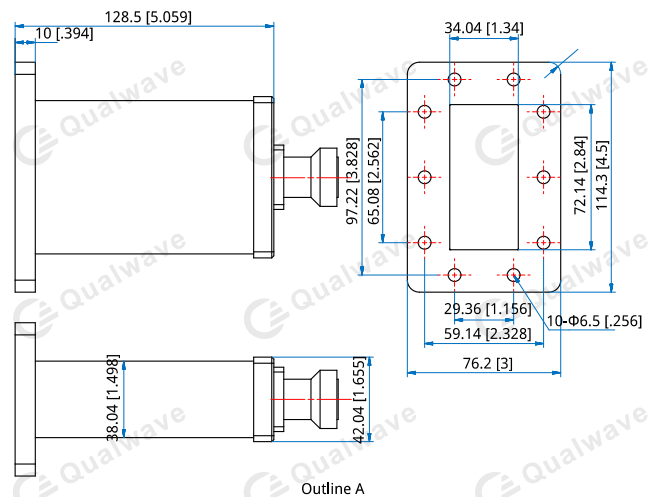
4 - FDM

Examples:

To order a waveguide to coax adapter, WR-284 to 7/16 DIN female, end launch, FDP32, specify QWCA-284-7F-E-2.

Customization is available upon request.

Outline Drawings



Unit: mm [in]

Tolerance: ±0.5mm [±0.02in]