

QWRJ1-5850-X-I-A

Single Channel, 5.45~5.85GHz, Xmm, I-type

Features:

- * Low VSWR
- * Low VSWR Flatness
- * Low Insertion Loss Flatness

Applications:

- * High Speed Digital Signal Transmission
- * Analog Signal Transmission

Electrical

Frequency:	5.45~5.85GHz
VSWR:	1.2 max.
VSWR Flatness:	0.05 max.
Insertion Loss:	0.2dB max.
Insertion Loss Flatness:	0.05dB max.
Peak Power:	1MW max. (Under a pressure of 25psi)
Average Power:	1000W max.
360° Rotation Phase Flatness:	±3°

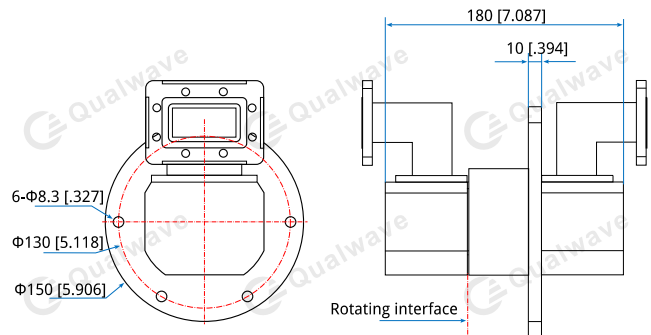
Mechanical

Interface:	WR-187 (BJ48)
Flange:	FDM48
Rotating Speed:	10RPM max.
Starting Torque:	4.9Nm max.
Rotating Torque:	4.9Nm max.
Operation Life:	20M cycles min.
Material:	Aluminum alloy
Finish:	Spraying
IP Grade:	IP65
Style:	I-type

Environmental

Operating Temperature:	-55~+85°C
Humidity:	95% max.

Outline Drawings



Unit: mm [in]

Tolerance: ±0.2mm [±0.008in]

How To Order

QWRJ1-5850-X-I-A

Customization is available upon request.