

# QPW90-C-1

## WR-90, Copper

Features:  
\* Low VSWR

Applications:  
\* Wireless  
\* Radar  
\* Instruments  
\* Electronics

### Electrical

Frequency:	8~11GHz
VSWR:	1.2 max.
Insertion Loss:	0.2dB max.
Power:	300W
Withstand Air Pressure:	0.1MPa min.

### Mechanical

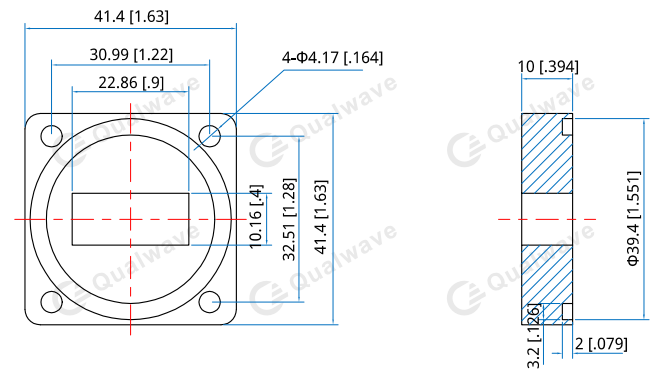
Flange:	FBP100/FBM100
Material:	Copper
Finish:	Pickling passivation
Coating:	Gray paint

### How To Order

**QPW90-C-1**

Customization is available upon request.

### Outline Drawings



Unit: mm [in]

Tolerance: ±0.2mm [±0.008in]