

QPDO-I-20-9.6

Internal Reference, 20MHz, 9.6GHz

Features:

- * High Frequency Stability
- * Ultra Low Phase Noise

Applications:

- * Wireless
- * Transceiver
- * Laboratory Test
- * Radar

Electrical

Output Frequency:	9.6GHz
Output Power:	10dBm min
Spurious:	-70dBc max.
Harmonic:	-20dBc max.
Internal Reference:	20MHz
Phase Noise:	-80dBc/Hz@10KHz
Voltage:	+12V DC
Current:	230mA max.
Lock Indicator (LI):	TTL logic
	High: locked
	Low: unlocked

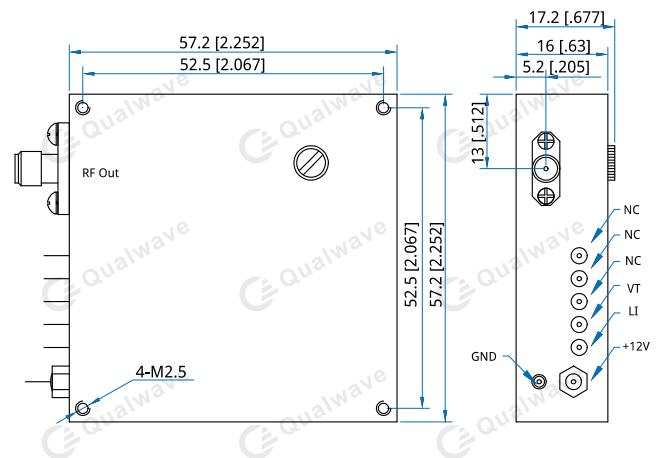
Mechanical

Size*1:	57.2*57.2*16mm 2.252*2.252*0.63in
RF Connectors:	SMA Female
Power Supply Interface:	Feed Through/Terminal Post
Mounting:	4-M2.5

[1] Exclude connectors.

Environmental

Operating Temperature:	-40~+70°C
Non-operating Temperature:	-55~+85°C

Outline Drawings


Unit: mm [in]

Tolerance: ± 0.2 mm [± 0.008 in]

How To Order

QPDO-I-20-9.6

Customization is available upon request.