

## QPDO-E-100-15.7

External Reference, 100MHz, 15.7GHz

**Features:**

- \* High Frequency Stability
- \* Ultra Low Phase Noise

**Applications:**

- \* Wireless
- \* Transceiver
- \* Laboratory Test
- \* Radar

### Electrical

Output Frequency:	15.7GHz
Output Power:	13dBm min.
Spurious:	-25dBc min.
Harmonic:	-75dBc min.
External Reference:	100MHz(-5~+5dBm)
	-160dBc/Hz@1KHz
	-168dBc/Hz@10KHz
	-168dBc/Hz@100KHz
Phase Noise:	-114dBc/Hz@1KHz
	-118dBc/Hz@10KHz
	-118dBc/Hz@100KHz
	-130dBc/Hz@1MHz
Voltage:	+12V DC
Current:	330mA max.
Lock Indicator (LI):	TTL logic
	High: locked
	Low: unlocked

### Mechanical

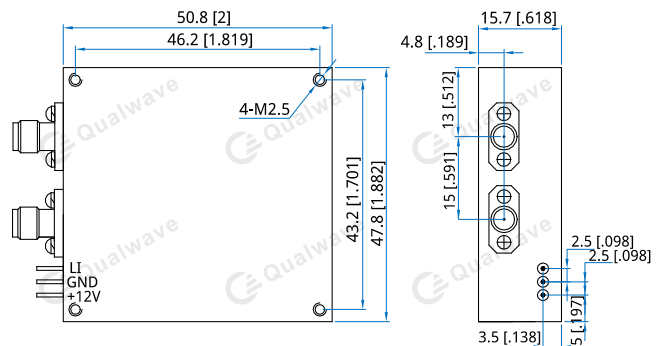
Size <sup>*1</sup> :	50.8*47.8*15.7mm
	2*1.882*0.618in
RF Connectors:	SMA Female
	( Field Replaceable)
Power Supply Interface:	Feed Through/Terminal Post
Mounting:	4-M2.5mm through-hole

[1] Exclude connectors.

### Environmental

Operating Temperature:	-55~+75°C
Non-operating Temperature:	-55~+85°C

### Outline Drawings



Unit: mm [in]

Tolerance:  $\pm 0.2\text{mm}$  [ $\pm 0.008\text{in}$ ]

### How To Order

**QPDO-E-100-15.7**

Customization is available upon request.