

## QPDO-E-100-1.6

External Reference, 100MHz, 1.6GHz

### Features:

- \* High Frequency Stability
- \* Ultra Low Phase Noise

### Applications:

- \* Wireless
- \* Transceiver
- \* Laboratory Test
- \* Radar

### Electrical

Output Frequency:	1.6GHz
Output Power:	13dBm min
Output Spurious:	-70dBc max. @±1GHz
Output Harmonic:	-20dBc max.
External Reference:	100MHz (-5~+5dBm)
	-130dBc/Hz@100Hz max.
	-160dBc/Hz@1KHz max.
	-172dBc/Hz@10KHz max.
	-175dBc/Hz@100KHz max.
Output Phase Noise:	-100dBc/Hz@100Hz max.
	-130dBc/Hz@1KHz max.
	-135dBc/Hz@10KHz max.
	-135dBc/Hz@100KHz max.
	-145dBc/Hz@1MHz max.
Voltage:	+12V
Current:	300mA max.
Lock Indicator (LI):	TTL logic
	High: locked
	Low: unlocked

### Mechanical

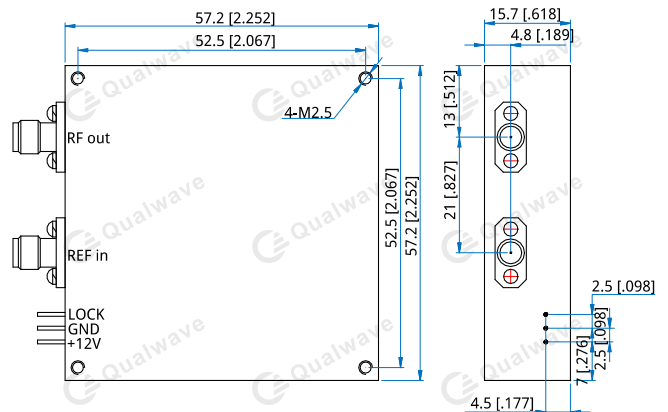
Size <sup>*1</sup> :	57.2*57.2*15.7mm
	2.252*2.252*0.618in
RF Connectors:	SMA Female
	(Detachable, Pin $\Phi$ 0.38 )
Mounting:	4-M2.5mm through hole

[1] Exclude connectors.

### Environmental

Operating Temperature:	-40~+75°C
Non-operating Temperature:	-55~+85°C

### Outline Drawings



Unit: mm [in]

Tolerance:  $\pm$ 0.5mm [ $\pm$ 0.02in]

### How To Order

**QPDO-E-100-1.6**

Customization is available upon request.