

## QPDO-E-10-6.3

External Reference, 10MHz, 6.3GHz

**Features:**

- \* High Frequency Stability
- \* Ultra Low Phase Noise

**Applications:**

- \* Wireless
- \* Transceiver
- \* Laboratory Test
- \* Radar

### Electrical

Output Frequency:	6.3GHz
Output Power:	13dBm min
Spurious:	-80dBc max.
Harmonic:	-25dBc max.
External Reference:	10MHz
	-170dBc/Hz@10kHz
Input Power:	0±2dBm
Phase Noise:	-90dBc/Hz@100Hz
	-118dBc/Hz@1KHz
	-120dBc/Hz@10KHz
	-120dBc/Hz@100KHz
	-135dBc/Hz@1MHz
Voltage:	+12V DC
Current:	600mA max.
Lock Indicator (LI):	TTL logic
	High: locked
	Low: unlocked

### Mechanical

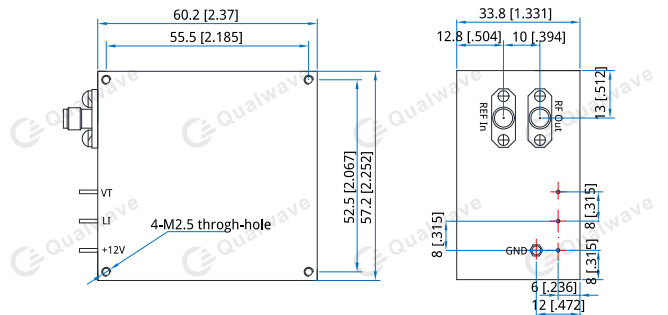
Size <sup>*1</sup> :	60.2*57.2*33.8mm
	2.37*2.252*1.331in
RF Connectors:	SMA Female
Power Supply Interface:	Feed Through/Terminal Post
Mounting:	4-M2.5 through-hole

[1] Exclude connectors.

### Environmental

Operating Temperature:	-40~+75°C
Non-operating Temperature:	-55~+85°C

### Outline Drawings



Unit: mm [in]  
Tolerance: ±0.2mm [±0.008in]

### How To Order

**QPDO-E-10-6.3**

Customization is available upon request.