

QLAS-600-4200-30-08

0.6~4.2GHz, 30dB, 0.8dB

Features:
 * Broadband
 * Low Noise

Applications:
 * Wireless
 * Receiver
 * Laboratory Test
 * Radar



Electrical

Frequency:	0.6~4.2GHz
Gain:	30dB typ.
Gain Flatness:	±20dB typ.
Noise Figure:	0.8dB typ.
Output Power (P1dB):	21dBm typ.
VSWR:	2 typ.
Voltage:	+85~+265V AC
Impedance:	50Ω

Mechanical

Size*2:	136*186*52mm 5.354*7.323*2.047in
RF Connectors:	SMA Female

[2] Exclude connectors, rack mount brackets, handles.

Environmental

Operating Temperature:	-20~+50°C
Non-operating Temperature:	-40~+85°C

Absolute Maximum Ratings*1

RF Input Power:	+22dBm
-----------------	--------

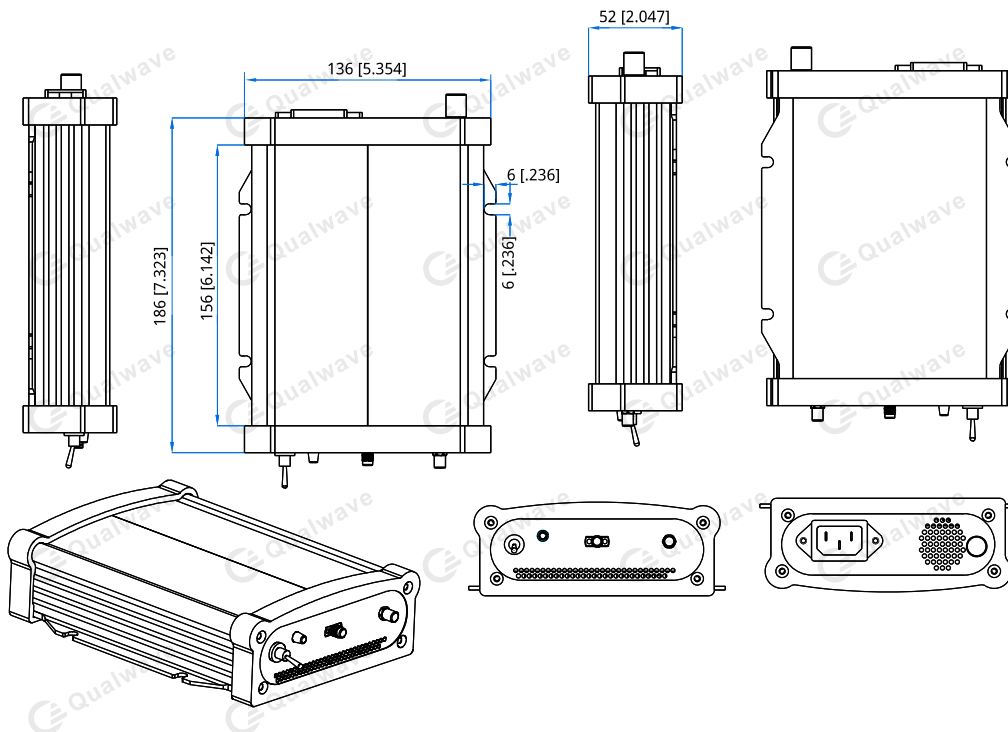
[1] Permanent damage may occur if any of these limits are exceeded.

How To Order

QLAS-600-4200-30-08

Customization is available upon request.

Outline Drawings



Unit: mm [in]

Tolerance: ±0.5mm [±0.02in]