

# QLAS-600-4200-20-10

0.6~4.2GHz, 20dB, 1.0dB

Features:  
 \* Broadband  
 \* Low Noise

Applications:  
 \* Wireless  
 \* Receiver  
 \* Laboratory Test  
 \* Radar



## Electrical

|                      |              |
|----------------------|--------------|
| Frequency:           | 0.6~4.2GHz   |
| Gain:                | 20dB typ.    |
| Gain Flatness:       | ±2dB typ.    |
| Noise Figure:        | 1dB typ.     |
| Output Power (P1dB): | 20dBm typ.   |
| VSWR:                | 2 typ.       |
| Voltage:             | +85~+265V AC |
| Impedance:           | 50Ω          |

## Mechanical

Size\*2: 136\*186\*52mm  
 5.354\*7.323\*2.047in

RF Connectors: SMA Female

[2] Exclude connectors, rack mount brackets, handles.

## Environmental

Operating Temperature: -20~+50°C

Non-operating Temperature: -40~+85°C

## Absolute Maximum Ratings\*1

RF Input Power: +22dBm

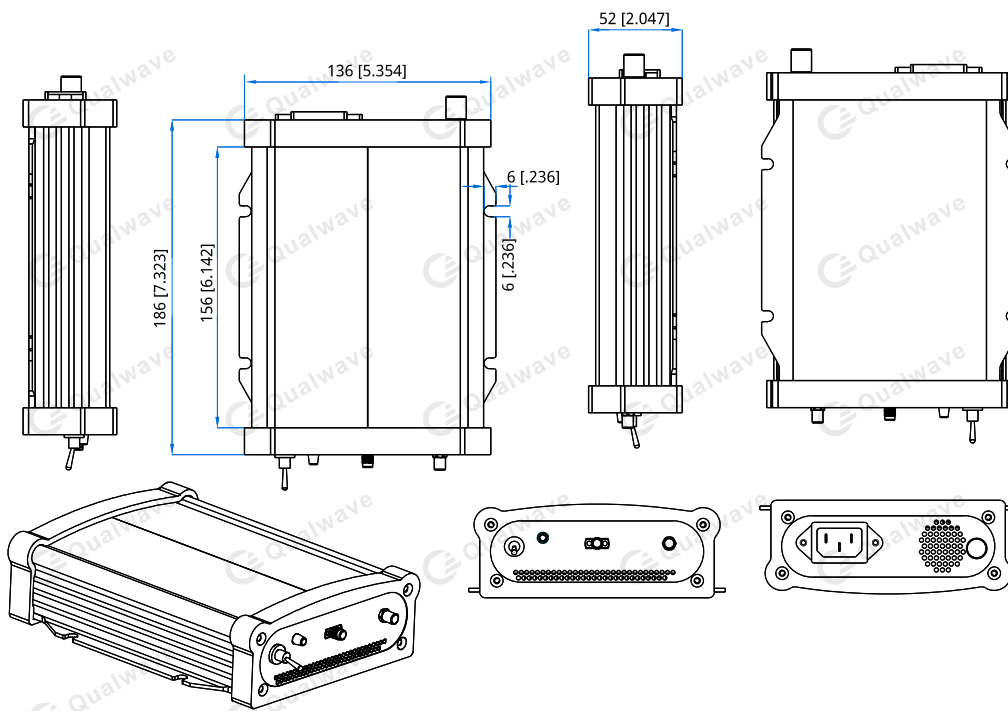
[1] Permanent damage may occur if any of these limits are exceeded.

## How To Order

**QLAS-600-4200-20-10**

Customization is available upon request.

## Outline Drawings



Unit: mm [in]

Tolerance: ±0.5mm [±0.02in]