

QLAS-50-4000-40-15

0.05~4GHz, 40dB, 1.5dB

Features:

- * Broadband
- * Low Noise

Applications:

- * Wireless
- * Receiver
- * Laboratory Test
- * Radar


Electrical

Frequency:	0.05~4GHz
Small Signal Gain:	40dB typ.
Gain Flatness:	±3dB max.
Output Power (P1dB):	20dBm typ.
Noise Figure:	1.5dB typ.
VSWR:	1.5 typ.
Voltage:	+85~+265V AC
Current:	200mA typ.
Impedance:	50Ω

Mechanical

Size*2:	136*186*52mm
	5.354*7.323*2.047in
RF Connectors:	SMA Female

[2] Exclude connectors, rack mount brackets, handles.

Environmental

Operating Temperature:	-20~+50°C
Non-operating Temperature:	-40~+85°C

Absolute Maximum Ratings*1

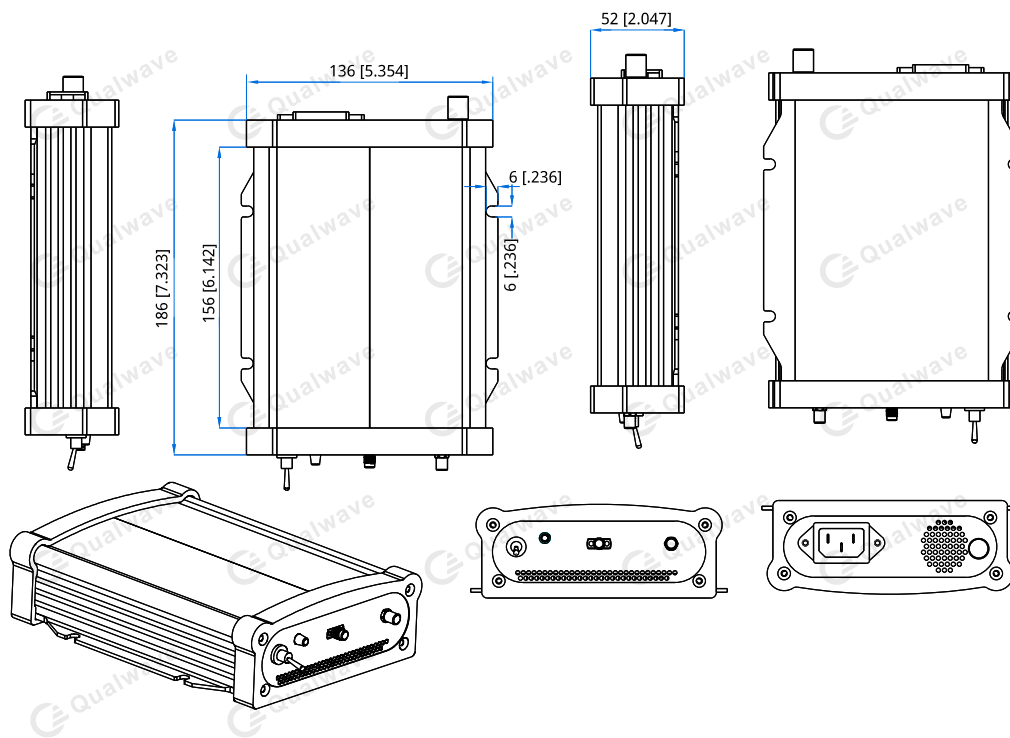
RF Input Power:	-5dBm
-----------------	-------

[1] Permanent damage may occur if any of these limits are exceeded.

How To Order

QLAS-50-4000-40-15

Customization is available upon request.

Outline Drawings


Unit: mm [in]

Tolerance: ±0.5mm [±0.02in]