

QLAS-26500-40000-40-30

26.5~40GHz, 40dB, 3.0dB

Features:
 * Broadband
 * Low Noise

Applications:
 * Wireless
 * Receiver
 * Laboratory Test
 * Radar



Electrical

Frequency:	26.5~40GHz
Small Signal Gain:	40dB typ.
Gain Flatness:	±3.5dB typ.
Output Power (P1dB):	15dBm typ.
Noise Figure:	3.0dB typ.
Spurious:	-60dBc max.
VSWR:	2 typ.
Voltage:	+85~+265V AC
Impedance:	50Ω

Absolute Maximum Ratings*1

RF Input Power: +20dBm

[1] Permanent damage may occur if any of these limits are exceeded.

Mechanical

Size*2: 136*186*52mm
 5.354*7.323*2.047in
 RF Connectors: 2.92mm Female

[2] Exclude connectors, rack mount brackets, handles.

Environmental

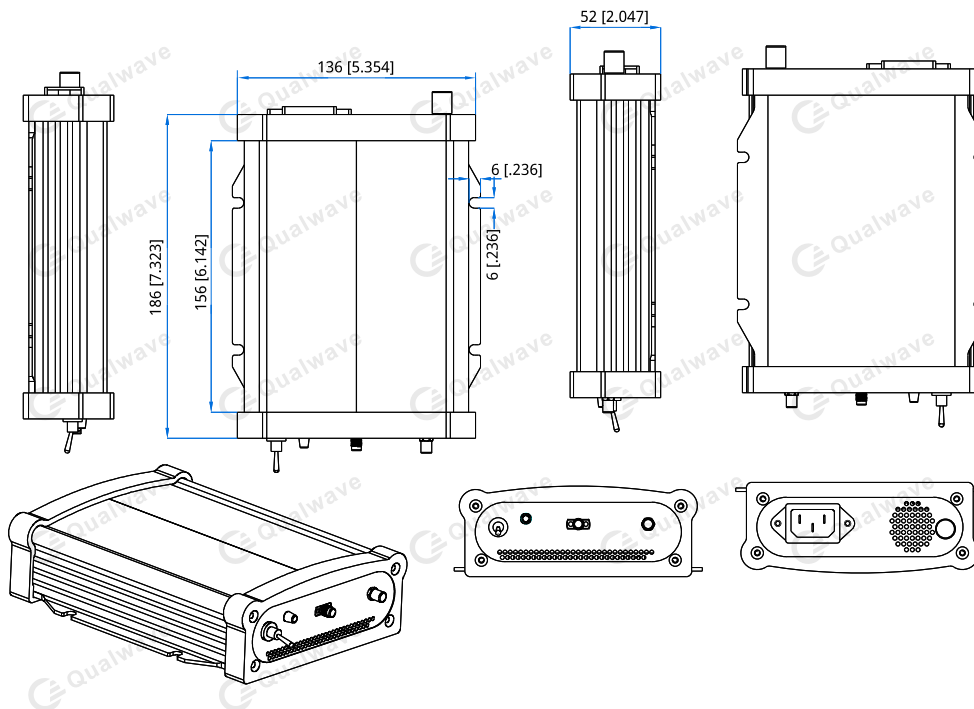
Operating Temperature: -20~+50°C
 Non-operating Temperature: -40~+85°C

How To Order

QLAS-26500-40000-40-30

Customization is available upon request.

Outline Drawings



Unit: mm [in]

Tolerance: ±0.2mm [±0.008in]