

# QLAS-1000-6000-23-15

1~6GHz, 23dB, 1.5dB

Features:  
 \* Broadband  
 \* Low Noise

Applications:  
 \* Wireless  
 \* Receiver  
 \* Laboratory Test  
 \* Radar



## Electrical

Frequency:	1~6GHz
Gain:	23dB typ.
Gain Flatness:	±1.5dB typ.
Output Power (P1dB):	20dBm typ.
Noise Figure:	1.5dB typ.
Spurious:	-60dBc max.
VSWR:	1.8 typ.
Voltage:	+85~+265V AC
Impedance:	50Ω

## Absolute Maximum Ratings\*1

RF Input Power: +18dBm

[1] Permanent damage may occur if any of these limits are exceeded.

## Mechanical

Size\*2: 136\*186\*52mm  
 5.354\*7.323\*2.047in

RF Connectors: SMA Female

[2] Exclude connectors, rack mount brackets, handles.

## Environmental

Operating Temperature: -20~+50°C

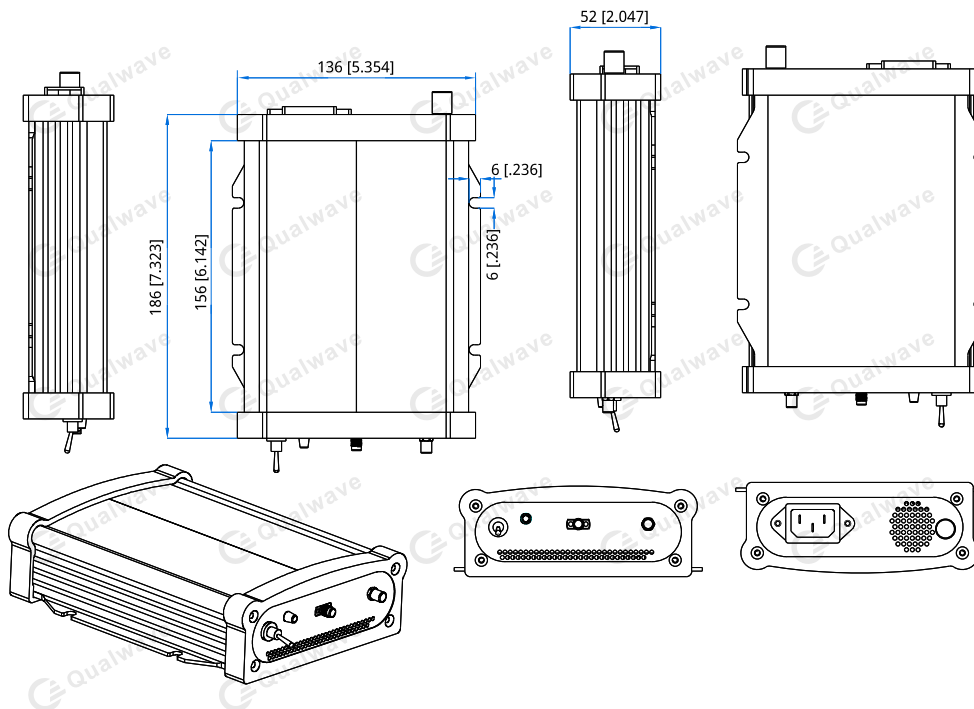
Non-operating Temperature: -40~+85°C

## How To Order

[QLAS-1000-6000-23-15](#)

Customization is available upon request.

## Outline Drawings



Unit: mm [in]

Tolerance: ±0.2mm [±0.008in]