

QLAS-1000-18000-15-18

1~18GHz, 15dB, 1.8dB

Features:

- * Broadband
- * Low Noise

Applications:

- * Wireless
- * Receiver
- * Laboratory Test
- * Radar



Electrical

| | |
|----------------------|--------------|
| Frequency: | 1~18GHz |
| Small Signal Gain: | 15dB typ. |
| Gain Flatness: | ±1dB typ. |
| Output Power (P1dB): | 17dBm typ. |
| Noise Figure: | 1.8dB typ. |
| Spurious: | -60dBc max. |
| VSWR: | 1.8 typ. |
| Voltage: | +85~+265V AC |
| Impedance: | 50Ω |

Absolute Maximum Ratings*1

| | |
|-----------------|--------|
| RF Input Power: | +20dBm |
|-----------------|--------|

[1] Permanent damage may occur if any of these limits are exceeded.

Mechanical

| | |
|----------------|---------------------|
| Size*2: | 136*186*52mm |
| | 5.354*7.323*2.047in |
| RF Connectors: | SMA Female |

[2] Exclude connectors, rack mount brackets, handles.

Environmental

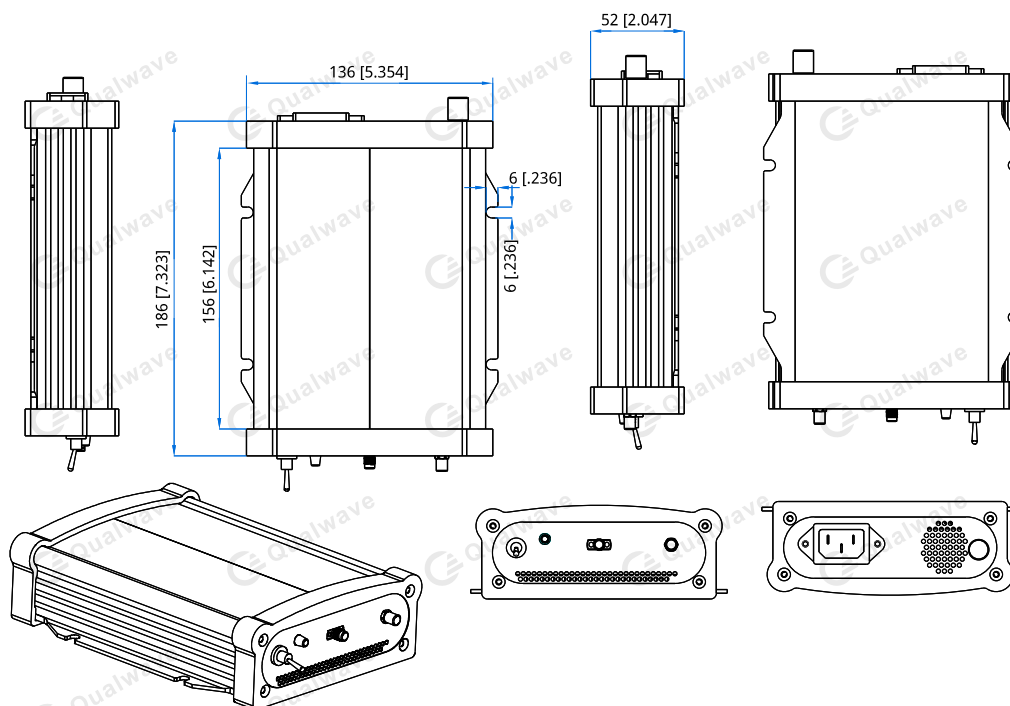
| | |
|----------------------------|-----------|
| Operating Temperature: | -20~+50°C |
| Non-operating Temperature: | -40~+85°C |

How To Order

QLAS-1000-18000-15-18

Customization is available upon request.

Outline Drawings



Unit: mm [in]

Tolerance: ±0.2mm [±0.008in]