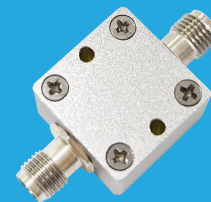


QL-8000-12000-14

8~12GHz, 14dBm

Features:
* Broadband

Applications:
* Wireless
* Transmitter
* Laboratory Test
* Radar



Electrical

Frequency: 8~12GHz
 Insertion Loss: 1.8dB typ.
 Flat Leakage: 14dBm typ.
 VSWR: 1.3 typ.
 Impedance: 50Ω

Absolute Maximum Ratings

RF Input Power: 44dBm

Mechanical

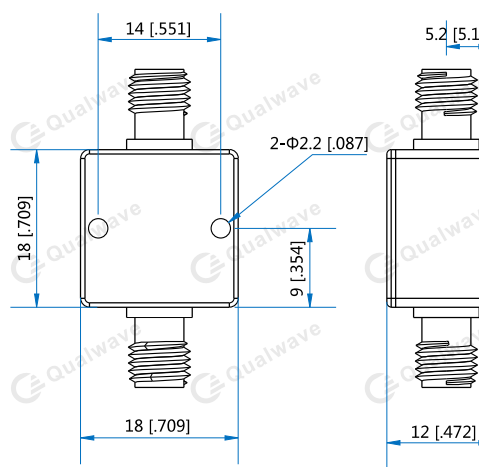
Size^{*1}: 18*18*12mm
 0.709*0.709*0.472in
 RF Connectors: SMA Female
 Mounting: 2-Φ2.2mm through-hole

[1] Exclude connectors.

Environmental

Operating Temperature: -40~+70°C
 Non-operating Temperature: -55~+85°C

Outline Drawings



Unit: mm [in]
 Tolerance: ±0.5mm [±0.02in]

How To Order

QL-8000-12000-14

Customization is available upon request.

Typical Performance Curves

