

## QFA6705

### DC~67GHz, 5W

**Features:**

- \* Low VSWR
- \* High Attenuation Flatness

**Applications:**

- \* Wireless
- \* Transmitter
- \* Laboratory Test
- \* Radar

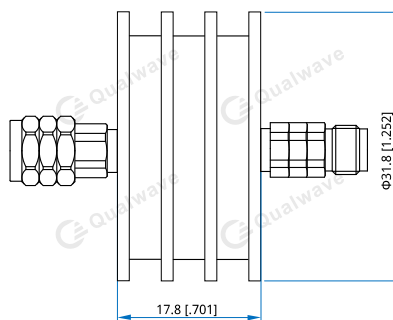
**Electrical**

Frequency:	DC~67GHz
Attenuation:	1~10dB, 20dB, 30dB
Impedance:	50Ω
Average Power*1:	5W@25°C max.
Peak Power:	20W (5μS pulse width, 1% duty cycle)

[1] Derated linearly to 0.5W@125°C.

**Mechanical**

RF Connectors:	1.85mm
Housing:	Aluminum
Dielectric:	PEI
Outer Conductor:	Passivated stainless steel
Male Inner Conductor:	Gold plated brass
Female Inner Conductor:	Gold plated beryllium copper

**Outline Drawings**


Unit: mm [in]

Tolerance: ±2mm [±0.08in]

**Environmental**

Temperature: -55~+125°C

**Attenuation Accuracy and VSWR**

Frequency (GHz)	Attenuation Accuracy (±dB) vs. Attenuation (dB)			VSWR (max.)
	1~10	20	30	
DC~67	-1.0/+1.5	-1.2/+1.5	-1.5/+2.0	1.4

**How To Order**
**QFA6705-X-Y-Z**

X: Frequency in GHz

Y: Attenuation in dB

Z: Connector type

Connector naming rules:

V - 1.85mm

Examples:

To order an attenuator, DC~67GHz, 1.85mm male to 1.85mm female, 20dB attenuation, specify QFA6705-67-20-V.