

## QDPHA-2000-18000-10-S-P

2~18GHz, 10dB, SMA

Features:  
\* Broadband

Applications:  
\* Wireless  
\* Transceiver  
\* Laboratory Test  
\* Broadcast

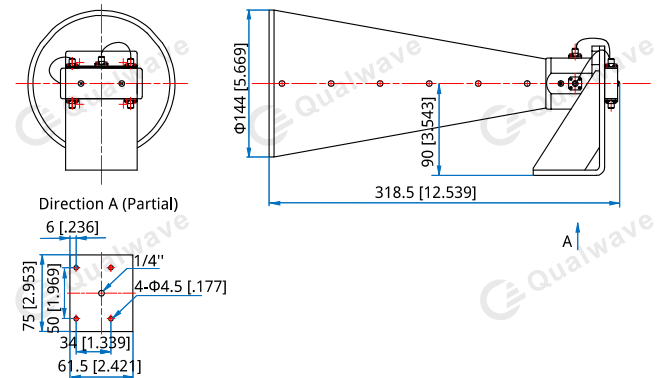
### Electrical

Frequency:	2~18GHz
Gain:	10dB
VSWR:	2.5 max.
Axial Ratio:	6dB max.
Isolation:	8dB max.
Beamwidth:	23°~70° @2~6GHz 10°~40° @6~18GHz
Polarization:	Left hand circular polarization Right hand circular polarization

### Mechanical

Connectors:	SMA Female
Material:	Aluminum
Finish:	Conductive oxidation

### Outline Drawings



Unit: mm [in]  
Tolerance:  $\pm 0.5$ mm [ $\pm 0.02$ in]

### How To Order

[QDPHA-2000-18000-10-S-P](#)

Customization is available upon request.