

QDPHA-1000-6000-5-S

1~6GHz, 5dB, SMA

Features:
* Broadband

Applications:
* Wireless
* Transceiver
* Laboratory Test
* Broadcast

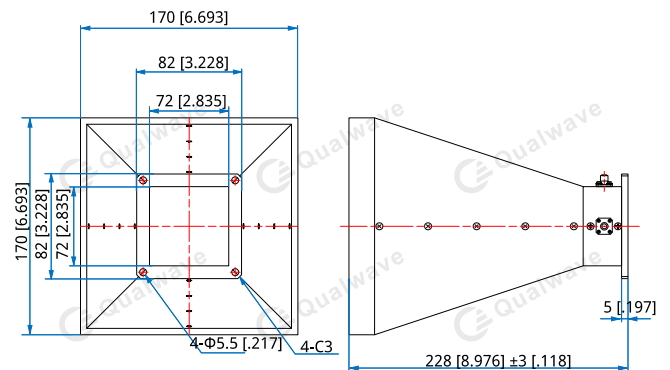
Electrical

Frequency:	1~6GHz
Gain:	5dB min.
VSWR:	2.5 max.
Average Power:	5W min.
Beamwidth:	23° min.
Polarization:	Dual linear

Mechanical

Connectors:	SMA Female
Material:	Aluminum
Finish:	Conductive oxidation

Outline Drawings



Unit: mm [in]
Tolerance: ±0.5mm [±0.02in]

How To Order

QDPHA-1000-6000-5-S

Customization is available upon request.