

QDDL-8200-12500

8.2~12.5GHz

Features:

- * Broadband
- * High Power
- * Low Insertion Loss

Applications:

- * Amplifiers
- * Transmitter
- * Laboratory Test
- * Radar

Electrical

Frequency:	8.2~12.5GHz
Coupling:	40±1.5, 50±1dB
Power Handling:	0.33MW

Coupling (dB)	Frequency (GHz)	VSWR (max.)	Directivity (dB min.)
40±1.5	8.2~12.5	1.1 (Mainline)	20
		1.35 (Coupling)	
50±1	8.2~12.5 ^[1]	1.1 (Mainline)	25
		1.2 (Coupling)	

[1] Bandwidth is 20% of full band.

Mechanical

Interface:	WR-90 (BJ100)
Flange:	FBP100
Material:	Aluminium
Finish:	Conductive oxidation
Coating:	Black paint
	Sea gray (Outline B)

How To Order

QDDL-U-V-W-X-Y-Z

U: Start Frequency in GHz

V: End Frequency in GHz

W: Coupling: (40 - Outline A, 50 - Outline B)

X: Coupling Connector type

Y: Material

Z: Flange type

Connector naming rules:

S - SMA female (Outline A, B)

Material naming rules:

A - Aluminium (Outline A, B)

Flange naming rules:

1 - FBP (Outline A, B)

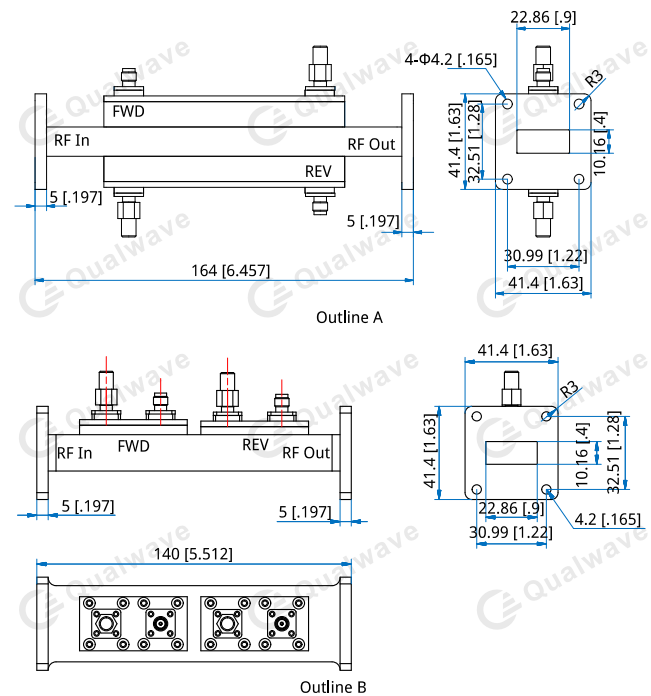
Examples:

To order a Dual Directional Loop Coupler, 9~9.86GHz, 50dB, SMA female, Aluminium, FBP100, specify QDDL-9000-9860-50-S-A-1.

Environmental

Operating Temperature: -40~+125°C

Outline Drawings



Unit: mm [in]

Tolerance: ±0.2mm [±0.008in]

Customization is available upon request.