

## QDDC-0.1-100-K3-40-NS

0.1~100MHz, 300W, 40dB

Features:  
\* Low Insertion Loss

Applications:  
\* Amplifiers  
\* Transmitter  
\* Laboratory Test  
\* Radar

### Electrical

Frequency:	0.1~100MHz
Coupling:	40±1dB
Coupling Flatness:	±0.5dB max.
VSWR (Mainline):	1.2 max.
VSWR (Coupline):	1.3 max.
Insertion Loss:	0.25dB max.
Directivity:	15dB min. @9~20KHz 20dB min. @20KHz~100MHz
Average Power:	300W CW

### Mechanical

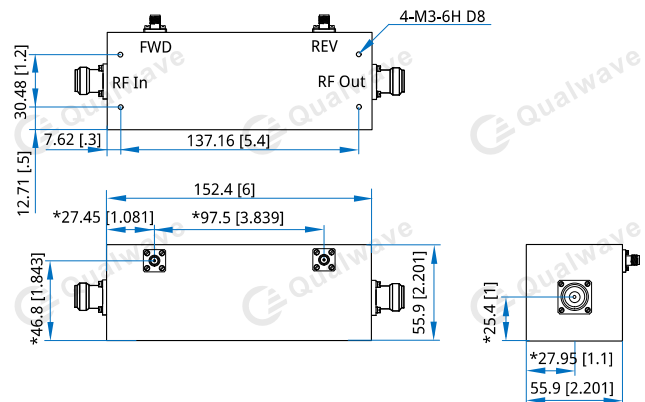
Size <sup>*1</sup> :	152.4*55.9*55.9mm 6*2.201*2.201in
RF Connectors:	N female
Coupling Connectors:	SMA female
Mounting:	4-M3mm-6H D8

[1] Exclude connectors.

### Environmental

Operating Temperature:	-55~+85°C
------------------------	-----------

### Outline Drawings



Unit: mm [in]

Tolerance: ±0.2mm [±0.008in]

\*Ensure dimensions for design.

### How To Order

**QDDC-0.1-100-K3-40-NS**

Customization is available upon request.