

QWD-22

WR-22, 33~50GHz

Features:
 * Broadband
 * High Sensitivity

Applications:
 * Telecom
 * Instrumentation
 * Laboratory Test
 * Radar

Electrical

Frequency Range:	33~50GHz
Sensitivity:	300mV/mW typ.
Flatness:	±1.8dB
Polarity:	Negative
Input Power Without Damage:	+20dBm
Rise Time:	10nS
Falling Time:	10nS

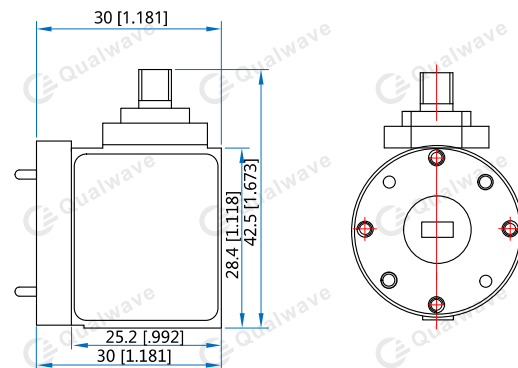
Mechanical

Input Connector:	WR-22 (BJ400)
Output Connector:	SMA Female

Environmental

Operating Temperature:	-20~+70°C
Non-operating Temperature:	-40~+85°C

Outline Drawings



Unit: mm [in]

Tolerance: ±0.2mm [±0.008in]

How To Order

QWD-22

Customization is available upon request.