

QWCK-90

WR-90, 8.2~12.5GHz

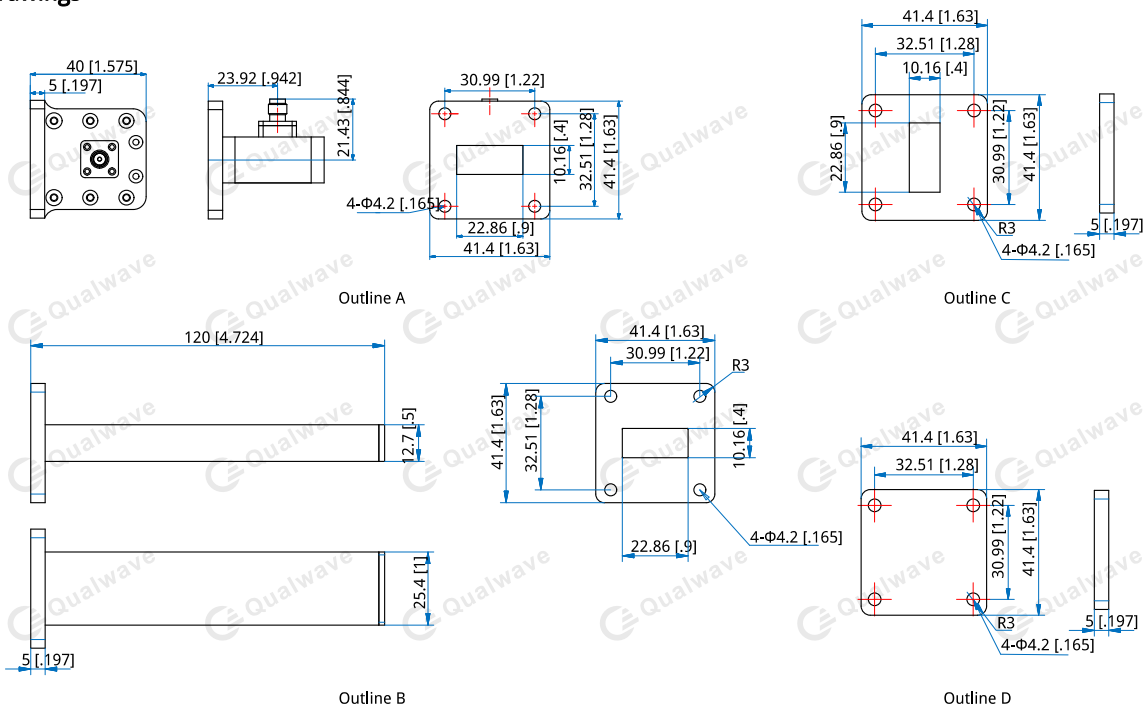
Features:
 * Broad Band
 * Low VSWR

Applications:
 * Calibration
 * Laboratory Test

Components

Part Number	Frequency (GHz)	VSWR (Max.)	Description	Material	Finish	Coating	Quantity (pcs)	Outline Drawings
QWCA-90-SF-R-1	8.2-12.5	1.15	Waveguide to coax adapter, WR-90 (BJ100) to SMA(f), right angle, FBP100	Aluminium	Conductive oxidation	Black paint	2	Outline A
QWT90-5-A-1	8.2-12.5	1.03	Low power waveguide termination, WR-90 (BJ100), 5W, FBP100	Aluminium	Conductive oxidation	Black paint	1	Outline B
QWS90-A-1	8.2-12.5	-	Waveguide short, WR-90 (BJ100), 5mm, FBP100	Aluminium	-	-	1	Outline D
QWSS90-5-A-1	8.2-12.5	-	1/4λ Waveguide straight section, WR-90 (BJ100), 5mm, FBP100	Aluminium	-	-	1	Outline C
Storage Box	Aluminum Alloy						1	-
Screw							1 set	-

Outline Drawings



Unit: mm [in] Tolerance: ±0.5mm [±0.02in]

Environmental

Operating Temperature: -40~+85°C

Non-operating Temperature: -55~+150°C

How To Order**QWCK-90** All the 6 components in one box.