

# QBT-10-12000

## 0.01~12GHz

Features:  
 \* Broadband  
 \* Small Size

Applications:  
 \* Telecom  
 \* Satcom  
 \* Laboratory Test  
 \* Instrumentation

### Electrical

Frequency:	0.01~12GHz
Insertion Loss:	3dB max.
VSWR:	2 max
DC Voltage:	100V max.
DC Current:	2.5A max.
RF Input Power:	25W max.
Isolation (RF to Bias Port):	30dB typ.
Impedance:	50Ω

### Mechanical

DC & Control Connectors:	Solder Pin, SMA Female
RF Connectors:	N Female
RFIN:	DC & RF
RFOUT:	RF

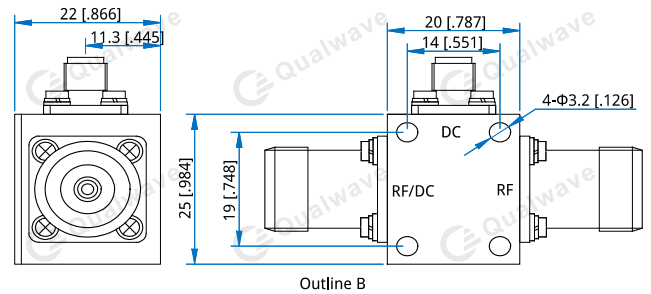
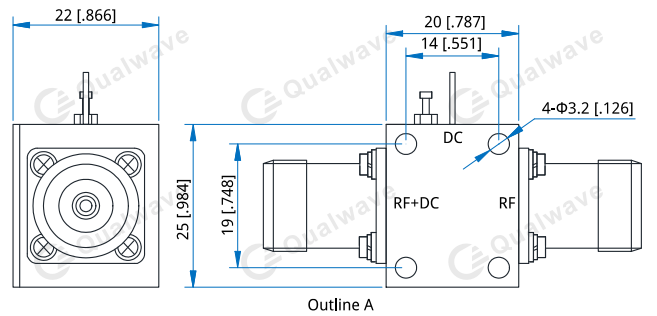
### Environmental

Operating Temperature:	-55~+105°C
Non-operating Temperature:	-55~+125°C

### How To Order

**QBT-10-12000-N-01** - N(f) - N(f), DC Connect Pin, Outline A  
**QBT-10-12000-N-05** - N(f) - N(f), DC Connect SMA Female, Outline B

### Outline Drawings



Unit: mm [in]

Tolerance: ±0.5mm [±0.02in]

Customization is available upon request.