

QCS-FYB-M60

SMA Connector, DC~18GHz

Features:
* Low VSWR

Applications:
* Wireless
* Radar
* Instruments
* Electronics

Electrical

| | |
|--------------------------|----------|
| Frequency: | DC~18GHz |
| VSWR: | 1.2 max. |
| Impedance of Dielectric: | 5000MΩ |
| Voltage Withstand: | 750V rms |
| Impedance: | 50Ω |

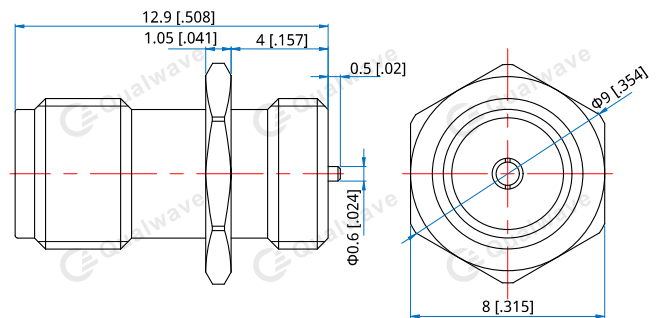
Mechanical

| | |
|------------------|-----------------------------|
| RF Connector: | SMA Female |
| Outer Conductor: | Ternary alloy plated brass |
| Dielectric: | PTFE |
| Inner Conductor: | Gold plated phosphor copper |

Environmental

| | |
|--------------|------------|
| Temperature: | -55~+165°C |
|--------------|------------|

Outline Drawings



Unit: mm [in]

Tolerance: ±0.2mm [±0.008in]

How To Order

QCS-FYB-M60

Customization is available upon request.