

# QCPF-MB-M46

## SMP Connector, DC~18GHz

Features:  
\* Low VSWR

Applications:  
\* Wireless  
\* Radar  
\* Instruments  
\* Electronics

### Electrical

Frequency:	DC~18GHz
Impedance of Dielectric:	5000MΩ min.
Voltage Withstand:	500V DC
Impedance:	50Ω

### Mechanical

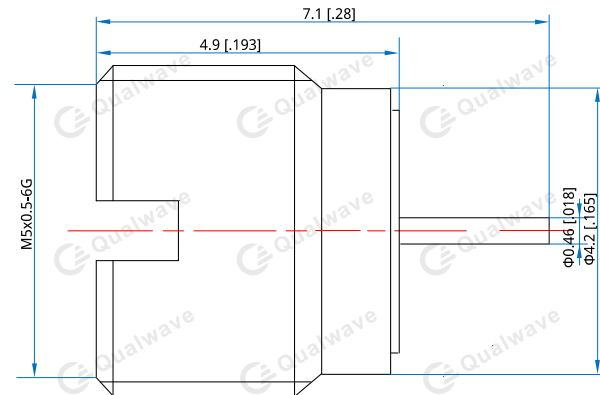
RF Connector:	SMP male
Outer Conductor:	Gold <sup>1</sup> plated beryllium copper
Dielectric:	PTFE
Inner Conductor:	Passivated 316L Stainless Steel
Mold Prevention:	28 h
Salt Fog Prevention:	96 h
Other:	waterproof

[1]Gold1.27

### Environmental

Temperature:	-55~+125°C
--------------	------------

### Outline Drawings



Unit: mm [in]

Tolerance:  $\pm 0.2$ mm [ $\pm 0.008$ in]

### How To Order

**QCPF-MB-M46-01**

Customization is available upon request.