

QHC9-950-1230-K6-N

0.95~1.23GHz, 600W

Features:

- * Broadband
- * High Power
- * Low Insertion Loss

Applications:

- * Amplifiers
- * Transmitter
- * Laboratory Test
- * Radar

Electrical

Frequency:	0.95~1.23GHz
Insertion Loss:	0.3dB max. AVG
VSWR:	1.3 max.
Isolation:	18dB min.
Amplitude Balance:	±0.5dB max.
Phase Balance:	±4° max.
Average Power:	600W
Impedance:	50Ω

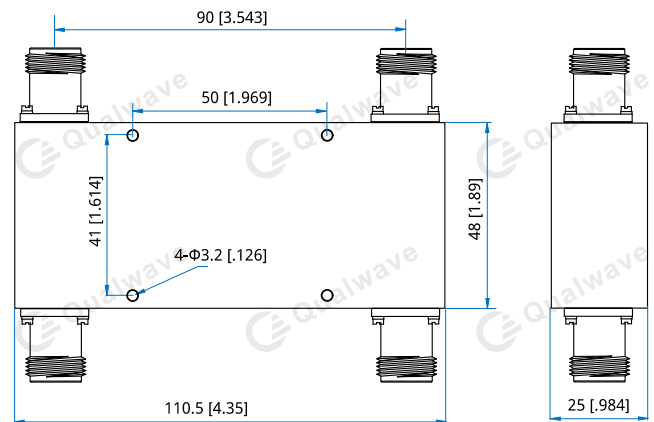
Mechanical

Size*1:	110.5*48*25mm 4.35*1.89*0.984in
Connectors:	N Female
Mounting:	4-Φ3.2mm through-hole

[1] Exclude connectors.

Environmental

Operation Temperature:	-55~+85°C
------------------------	-----------

Outline Drawings


Unit: mm [in]

Tolerance: ±0.2mm [±0.008in]

How To Order

QHC9-950-1230-K6-N

Customization is available upon request.