

# QHC9-3000-9000-1-S

## 3~9GHz, 1W

**Features:**

- \* Broadband
- \* High Power
- \* Low Insertion Loss

**Applications:**

- \* Amplifiers
- \* Transmitter
- \* Laboratory Test
- \* Radar

**Electrical**

Frequency:	3~9GHz
Insertion Loss:	0.35dB max.
VSWR:	1.4 max.
Isolation:	20dB min.
Amplitude Balance:	±1dB max.
Phase Balance:	±1° max.
Average Power:	1W
Impedance:	50Ω

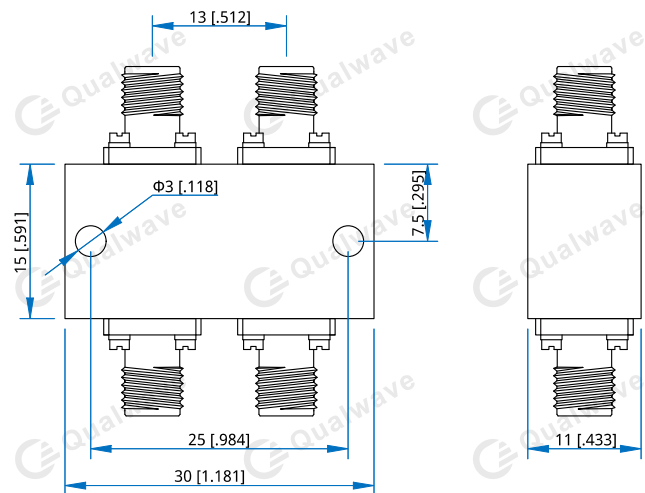
**Mechanical**

Size <sup>*1</sup> :	30*15*11mm 1.181*0.591*0.433in
RF Connectors:	SMA Female
Mounting:	2-Φ3mm through hole

[1] Exclude connectors.

**Environmental**

Temperature:	-45~+85°C
--------------	-----------

**Outline Drawings**


Unit: mm [in]

Tolerance: ±0.3mm [±0.012in]

**How To Order**

**QHC9-3000-9000-1-S**

Customization is available upon request.