

QPD2-500-3000-30

2-Way, 0.5~3GHz

Features:

- * Small Size
- * Low Insertion Loss

Applications:

- * Amplifiers
- * Mixers
- * Antennas
- * Laboratory Test

Electrical

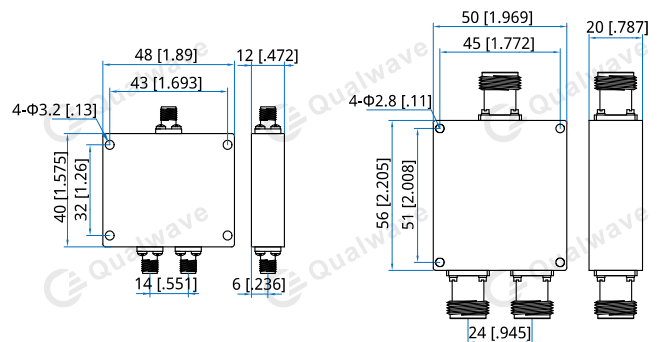
Frequency:	0.5~3GHz
Insertion Loss:	0.6dB max.
Input VSWR:	1.25 max.
Output VSWR:	1.2 max.
Isolation:	22dB min. (SMA) 20dB min. (N)
Amplitude Balance:	0.2dB max.
Phase Balance:	±3°
Impedance:	50Ω
Power @SUM Port:	30W max. as divider 2W max. as combiner

Mechanical

Mounting:	4-Φ3.2mm through-hole (SMA) 4-Φ2.8mm through-hole (N)
-----------	----------------------------------------------------------

Environmental

Operation Temperature:	-35~+75°C
------------------------	-----------

Outline Drawings


Outline A

Outline B

Unit: mm [in]
Tolerance: ±0.5mm [±0.02in]

How To Order

QPD2-500-3000-30-Y

Y: Connector type

Connector naming rules:

S - SMA Female (Outline A)

N - N Female (Outline B)

Examples:

To order a 2-way power divider, 0.5~3GHz, 30W, N female, specify QPD2-500-3000-30-N.

Customization is available upon request.