

# QPD2-30-400-K1-N

## 2-Way, 0.03~0.4GHz

Features:  
 \* Small Size  
 \* Low Insertion Loss

Applications:  
 \* Amplifiers  
 \* Mixers  
 \* Antennas  
 \* Laboratory Test

### Electrical

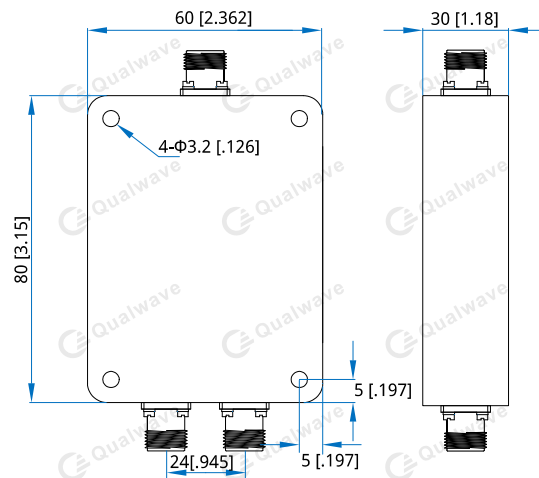
Frequency:	0.03~0.4GHz
Insertion Loss:	0.5dB max.
VSWR:	1.35 max.
Isolation:	20dB min.
Amplitude Balance:	0.1dB max.
Phase Balance:	3° max.
Power @SUM Port:	100W as divider 100W as combiner

### Mechanical

Size <sup>*1</sup> :	60*80*30mm 2.362*3.15*1.18in
Connectors:	N Female
Mounting:	4-Φ3.2mm through-hole

[1] Exclude connectors.

### Outline Drawings



Unit: mm [in]

Tolerance: ±0.5mm [±0.02in]

### How To Order

**QPD2-30-400-K1-N**

Customization is available upon request.