

QWVA-19-B-10

WR-19

Features:

- * Low VSWR
- * High Attenuation Flatness

Applications:

- * Wireless
- * Transmitter
- * Laboratory Test
- * Radar

Electrical

Frequency:	39.2~59.6GHz
VSWR:	1.25 max.
Attenuation:	0~30dB

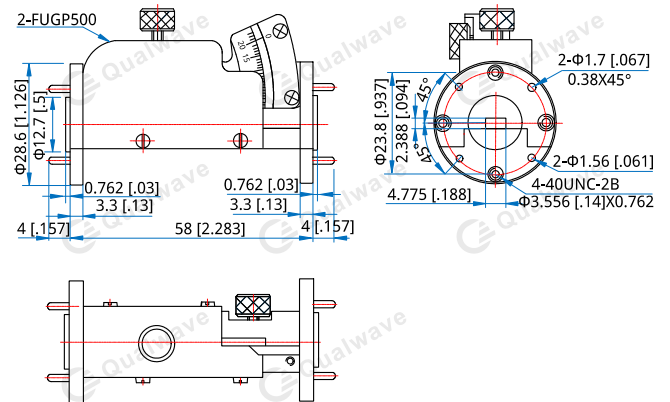
Mechanical

Interface:	WR-19 (BJ500)
Flange:	UG-383/UM
Material:	Brass
Finish:	Gold-plating

How To Order

QWVA-19-B-10

Customization is available upon request.

Outline Drawings


Unit: mm [in]

Tolerance: $\pm 0.2\text{mm}$ [$\pm 0.008\text{in}$]