

QWCA-D475-N

WRD-475 to N

Features:
* Low VSWR

Applications:
* Wireless
* Transmitter
* Laboratory Test
* Radar

Electrical

Frequency: 4.75~11GHz
VSWR: 1.2 max.

Mechanical

Coax Connectors: N
Waveguide Size: WRD-475
Flange: FPWRD475D24
Material: Aluminium

How To Order

QWCA-D475-X-Y-Z

X : Connector type.

Y : Configuration type.

Z : Flange type if applicable.

Connector naming rules:

N - N Male (Outline A)

NF - N Female (Outline A)

Configuration naming rules:

E - End launch

R - Right angle (Outline A)

Flange naming rules:

8 - FPWRD (Outline A)

Examples:

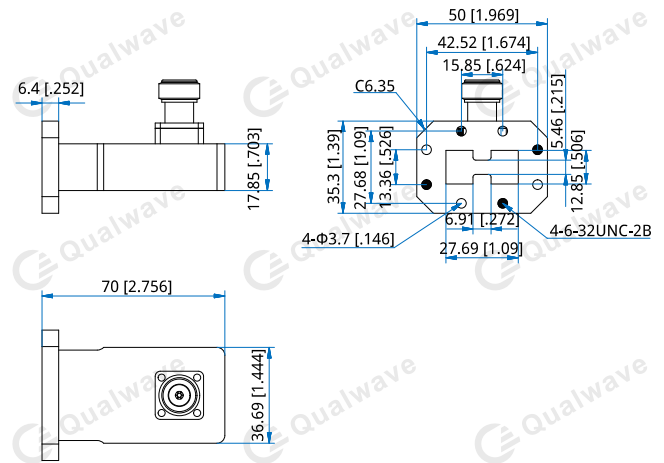
To order a waveguide to coax adapter, WR-D475 to N female, right angle, FPWRD, specify QWCA-D475-NF-R-8.

Customization is available upon request.

Environmental

Operating Temperature: -70~+165°C

Outline Drawings



Outline A

Unit: mm [in]

Tolerance: ±0.2mm [±0.008in]