

QWCA-90-N WR-90 to N

Features:
* Low VSWR

Applications:
* Wireless
* Transmitter
* Laboratory Test
* Radar

Electrical

Frequency: 8.2~12.5GHz
VSWR: 1.2 max.
Insertion loss: 0.3dB max.(End launch)

Mechanical

Coax Connectors: N
Waveguide Size: WR-90 (BJ100)
Flange: FBP100/FDM100
Material: Aluminium
Copper (End launch)

Environmental

Operating Temperature: -70~+165°C

How To Order

QWCA-90-X-Y-Z

X : Connector type.

Y : Configuration type.

Z : Flange type if applicable

Connector naming rules:

N - N Male (Outline A, OutlineB)

NF - N Female (Outline A, OutlineB)

Configuration naming rules:

E - End launch (Outline B)

R - Right angle (Outline A)

Flange naming rules:

1 - FBP (Outline B)

2 - FDP

3 - FBM

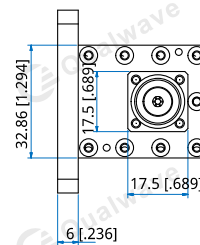
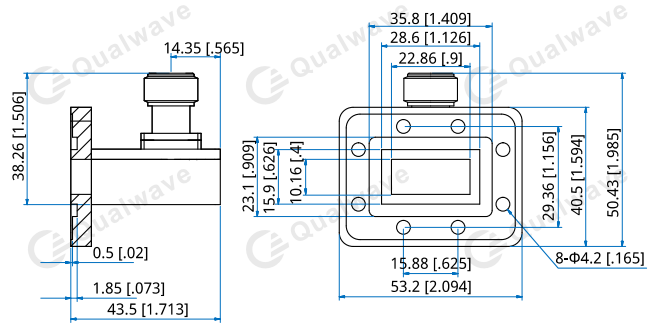
4 - FDM (Outline A)

Examples:

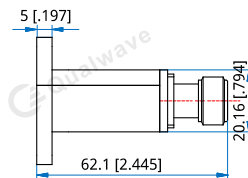
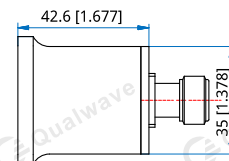
To order a waveguide to coax adapter, WR-90 to N female, right angle, FDM, specify QWCA-90-NF-R-4.

Customization is available upon request.

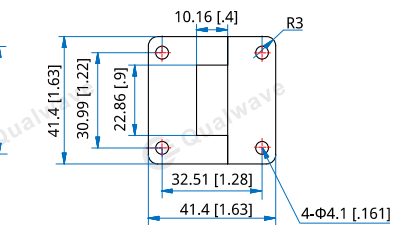
Outline Drawings



Outline A



Outline B



Unit: mm [in]

Tolerance: ±0.2mm [±0.008in]