

## QWCA-430-N

### WR-430 to N

Features:  
\* Low VSWR

Applications:  
\* Wireless  
\* Transmitter  
\* Laboratory Test  
\* Radar

#### Electrical

Frequency: 1.72~2.61GHz  
VSWR: 1.2 max.  
Insertion Loss: 0.3dB max.

#### Mechanical

Coax Connectors: N  
Waveguide Size: WR-430 (BJ22)  
Flange: FDP22  
Material: Aluminium  
Surface Treatment: Conductive oxidation  
Coating: Gray paint

#### Environmental

Operating Temperature: -70~+165°C

#### How To Order

##### QWCA-430-X-Y-Z

X : Connector type.

Y : Configuration type.

Z : Flange type if applicable.

Connector naming rules:

N - N Male (Outline A)

NF - N Female (Outline A)

Configuration naming rules:

E - End launch

R - Right angle (Outline A)

Flange naming rules:

1 - FBP

2 - FDP (Outline A)

3 - FBM

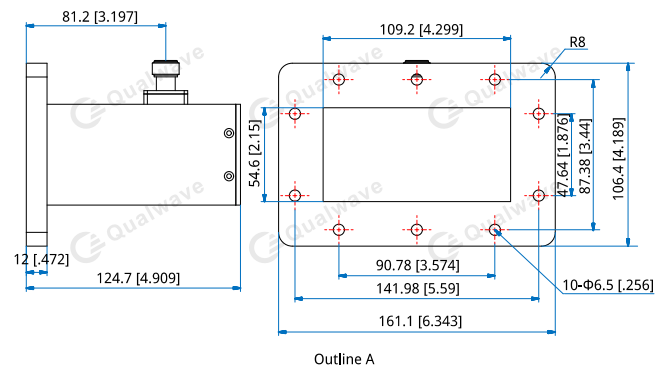
4 - FDM

Examples:

To order a waveguide to coax adapter, WR-430 to N female, right angle, FDP, specify QWCA-430-NF-R-2.

Customization is available upon request.

#### Outline Drawings



Unit: mm [in]

Tolerance: ±0.2mm [±0.008in]