

# QWCA-42-SF-R

## WR-42 to SMA Female, Right angle

Features:  
\* Low VSWR

Applications:  
\* Wireless  
\* Transmitter  
\* Laboratory Test  
\* Radar

### Electrical

Frequency: 17.6~26.7GHz  
VSWR: 1.2 max.  
Impedance: 50Ω

### Mechanical

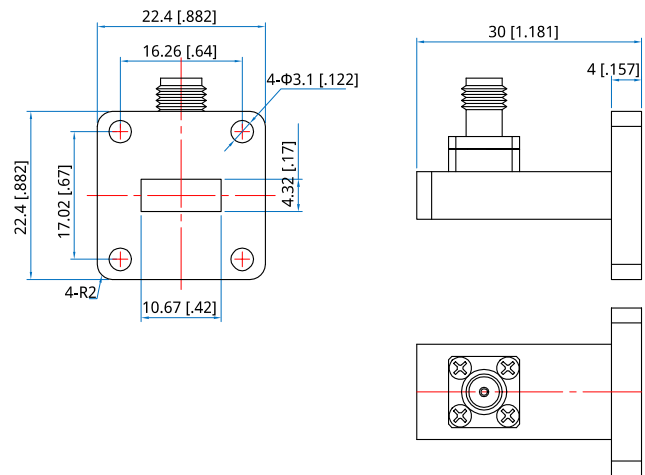
Length: 30mm  
1.181in  
RF Connectors: SMA Female  
Interface: WR-42  
Flange: FBP220  
Material: Aluminium

### How To Order

[QWCA-42-SF-R](#)

Customization is available upon request.

### Outline Drawings



Unit: mm [in]

Tolerance: ±0.2mm [±0.008in]