

QWCA-340-7

WR-340 to L29

Features:
* Low VSWR

Applications:
* Wireless
* Transmitter
* Laboratory Test
* Radar

Electrical

Frequency: 2.17~3.3GHz
VSWR: 1.2 max.

Mechanical

Coax Connectors: L29
Waveguide Size: WR-340
Flange: FDP26
Material: Aluminium

Environmental

Operating Temperature: -70~+165°C

How To Order

QWCA-340-X-Y-Z

X : Connector type.

Y : Configuration type.

Z : Flange type if applicable.

Connector naming rules:

7 - L29 Male (Outline A)

7F - L29 Female (Outline A)

Configuration naming rules:

E - End launch

R - Right angle (Outline A)

Flange naming rules:

1 - FBP

2 - FDP (Outline A)

3 - FBM

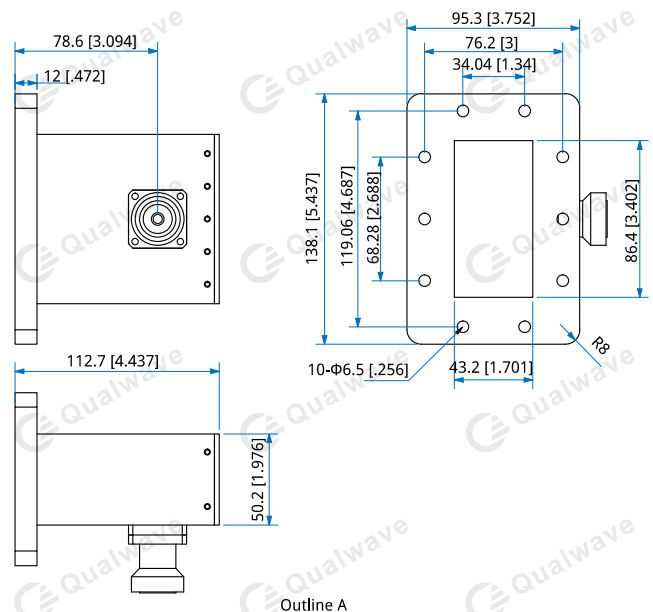
4 - FDM

Examples:

To order a waveguide to coax adapter, WR-340 to L29 female, right angle, FDP, specify QWCA-340-7F-R-2.

Customization is available upon request.

Outline Drawings



Outline A

Unit: mm [in]

Tolerance: ± 0.2 mm [± 0.008 in]