

# QWCA-15-VF-R

## WR-15 to 1.85mm Female, Right Angle

**Features:**  
\* Low VSWR

**Applications:**  
\* Wireless  
\* Transmitter  
\* Laboratory Test  
\* Radar

### Electrical

Frequency: 50~67GHz  
VSWR: 1.3 max.  
Impedance: 50Ω  
Insertion Loss: 0.6dB max.

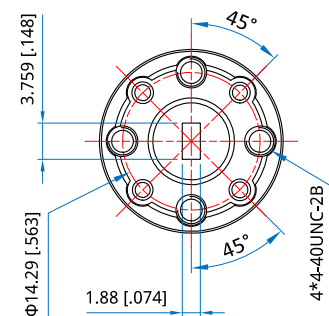
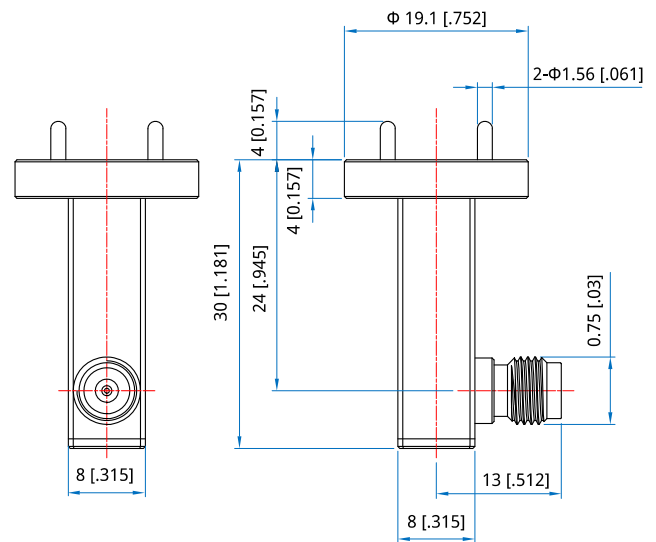
### Mechanical

Length: 30mm  
1.181in  
RF Connectors: 1.85mm Female  
Interface: WR-15  
Material: Gold Plated Brass  
Outer Conductor: SUS303 Stainless Steel  
Dielectric: PE  
Inner Conductor: Gold Plated Beryllium Copper

### Environmental

Temperature: -55~+125°C

### Outline Drawings



Unit: mm [in]  
Tolerance:  $\pm 0.2$ mm [ $\pm 0.008$ in]

**How To Order**  
**QWCA-15-VF-R**

Customization is available upon request.