

QWSS-187

WR-187

Features:
 * Low VSWR
 * High Isolation

Applications:
 * Wireless
 * Transmitter
 * Laboratory Test
 * Radar

Electrical

Frequency: 3.94~5.99GHz
 VSWR: 1.2 max.
 Insertion Loss: 0.05dB max.

Mechanical

Length: 0.25m
 0.9843in
 Waveguide size: WR-187 (BJ48)
 Flange: FAM48
 Material: Aluminium
 Finish: Conductive oxidation
 Coating: Gray paint

How To Order

QWSS-187-X-Y-Z

X: Length
 Y: Material
 Z: Flange type

Length in mm:
 250 - 250mm (Outline A)

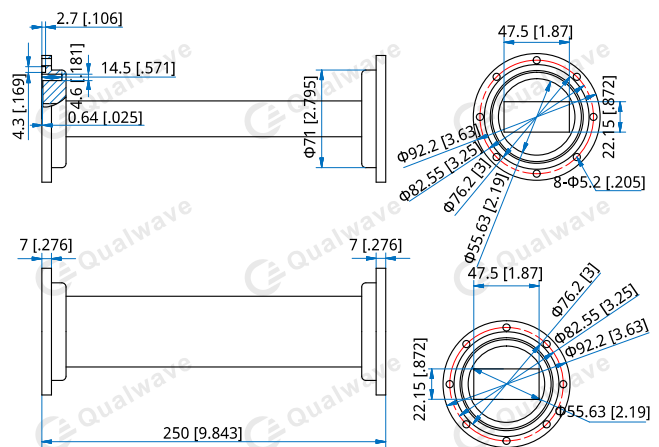
Material naming rules:
 A - Aluminium (Outline A)

Flange naming rules:
 19 - FAM (Outline A)

Examples:
 To order a waveguide straight section, WR-187, 250mm, Aluminium, FAM48, specify QWSS-187-250-A-19.

Customization is available upon request.

Outline Drawings



Unit: mm [in]
 Tolerance: $\pm 0.2\text{mm}$ [$\pm 0.008\text{in}$]