

QWPD8-17500-18500-K2-51

8-Way, 17.5~18.5GHz, 200W, WR-51

Features:
 * Small Size
 * Low Insertion Loss

Applications:
 * Amplifiers
 * Mixers
 * Antennas
 * Laboratory Test

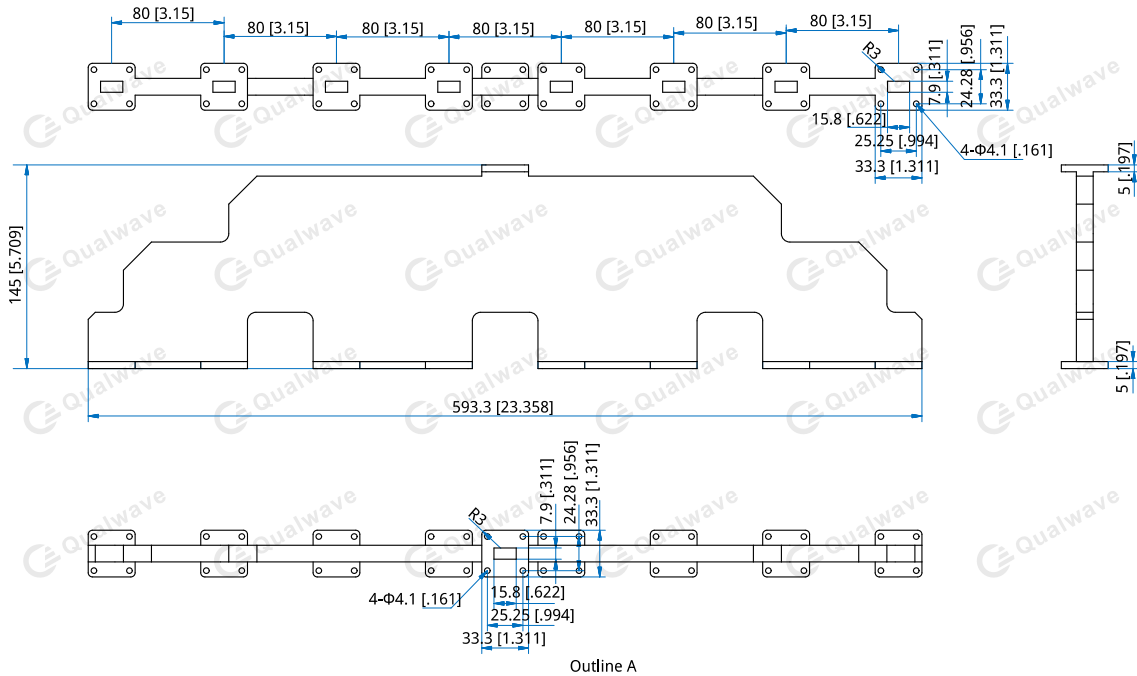
Electrical

Frequency: 17.5~18.5GHz
 Insertion Loss: 1dB max.
 VSWR (SUM Port): 1.2 max.
 Phase Balance: $\pm 5^\circ$
 Peak Power: 1000W
 Power @SUM Port: 200W as divider
 200W as combiner

Mechanical

Waveguide Size: WR-51 (BJ180)
 Flange: FBP180
 Material: Aluminium
 Finish: Silver plating
 Coating: Sea gray

Outline Drawings



Unit: mm [in]

Tolerance: $\pm 0.5\text{mm}$ [$\pm 0.02\text{in}$]

How To Order

QWPD8-17500-18500-K2-51-Y-Z

Y: Material

Z: Flange type

Material naming rules:

A - Aluminium (Outline A)

Flange naming rules:

1 - FBP (Outline A)

Examples:

To order a 8-way waveguide power divider, 17.5~18.5GHz, 200W, WR-51, Aluminium, FBP180, specify QWPD8-17500-18500-K2-51-A-1.

Customization is available on request.