

## QWMPS-90-360

WR-90, 360°

**Features:**

- \* Low Insertion Loss
- \* High Power
- \* High Reliable

**Applications:**

- \* Laboratory Test
- \* Transmitter
- \* Instrumentation
- \* Wireless

**Electrical**

Frequency:	8.2~12.4GHz
Impedance:	50Ω
VSWR:	1.25 max.
Phase Adjustment:	0~360°

**Mechanical**

Interface:	WR-90 (BJ100)
Flange:	FBP100
Material:	Silver plated copper
Coating:	Sea gray

**Environmental**

Operating Temperature:	-45~+75°C
------------------------	-----------

**How To Order**

**QWMPS-90-360-X-Y-Z**

- X: Display
- Y: Material
- Z: Flange type

**Display naming rules:**

A - Analog (Outline A)

**Material naming rules:**

C - Copper (Outline A)

**Flange naming rules:**

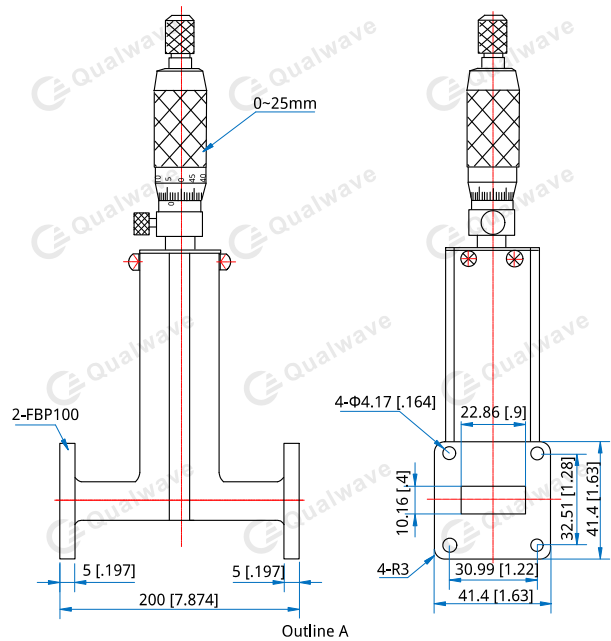
1 - FBP (Outline A)

**Examples:**

To order a Waveguide Manual Phase Shifter, 8.2~12.4GHz, WR-90, 0~360°, Analog, Copper, FBP100, specify QWMPS-90-360-A-C-1.

Customization is available upon request.

**Outline Drawings**



Unit: mm [in]

Tolerance: ±0.5mm [±0.02in]

This product is non-linear coarse tuning.