

QWI-40000-47000-10

Broadband & Isolation

Features:

- * Broadband
- * High Isolation
- * Low Insertion Loss

Applications:

- * Wireless
- * Radar
- * Laboratory Test

Electrical

Frequency:	40~47GHz
Insertion Loss:	0.35dB max.
Isolation:	16dB min.
VSWR:	1.4 max.
Forward Power:	10W
Reverse Power:	5W

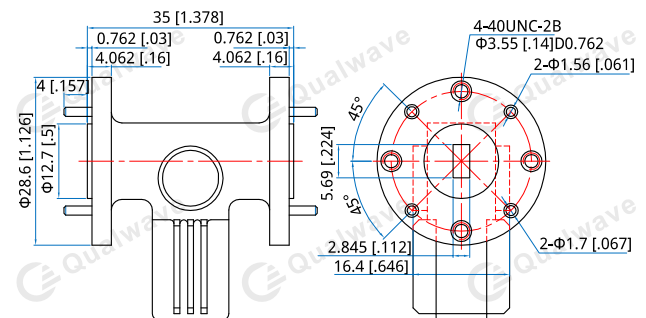
Mechanical

Size:	35* Φ 28.6mm 1.378*1.126in
Interface:	WR-22 (BJ400)
Flange:	UG-383/U
Material:	Copper
Finish:	Pickling passivation

Environmental

Temperature:	-40 ~ +85°C
--------------	-------------

Outline Drawings



Unit: mm [inch]

Tolerance: \pm 0.2mm [\pm 0.008in]

How To Order

QWI-40000-47000-10

Customization is available upon request.