

QWFA90-1K WR-90, 1000W

Features:

- * Low VSWR
- * High Attenuation Flatness

Applications:

- * Wireless
- * Transmitter
- * Laboratory Test
- * Radar

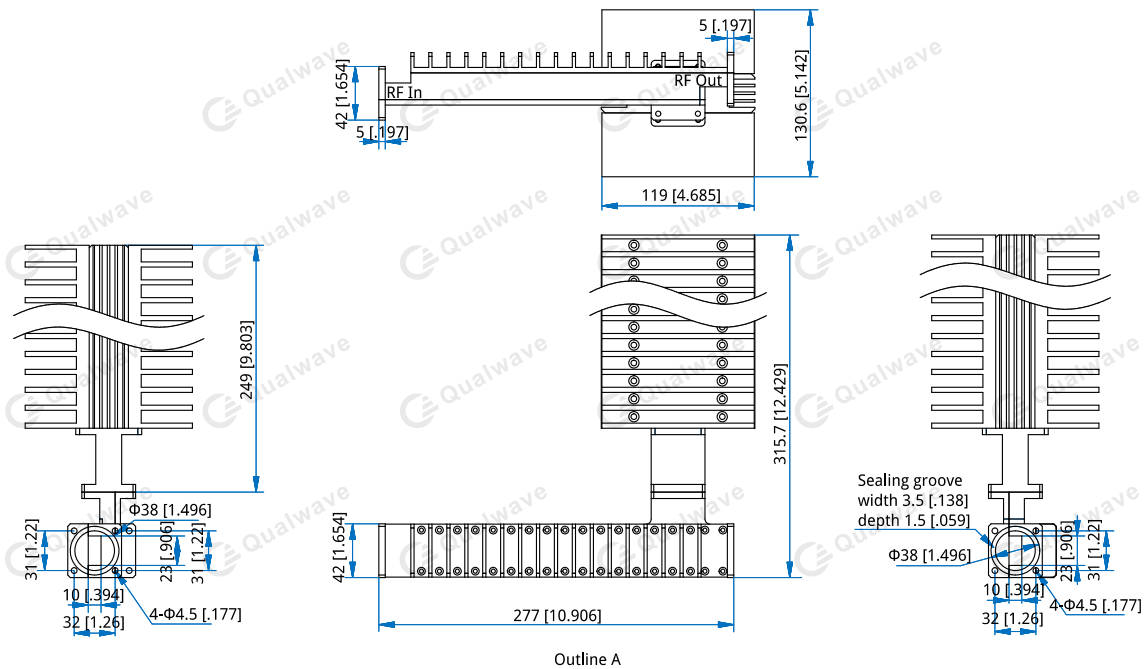
Electrical

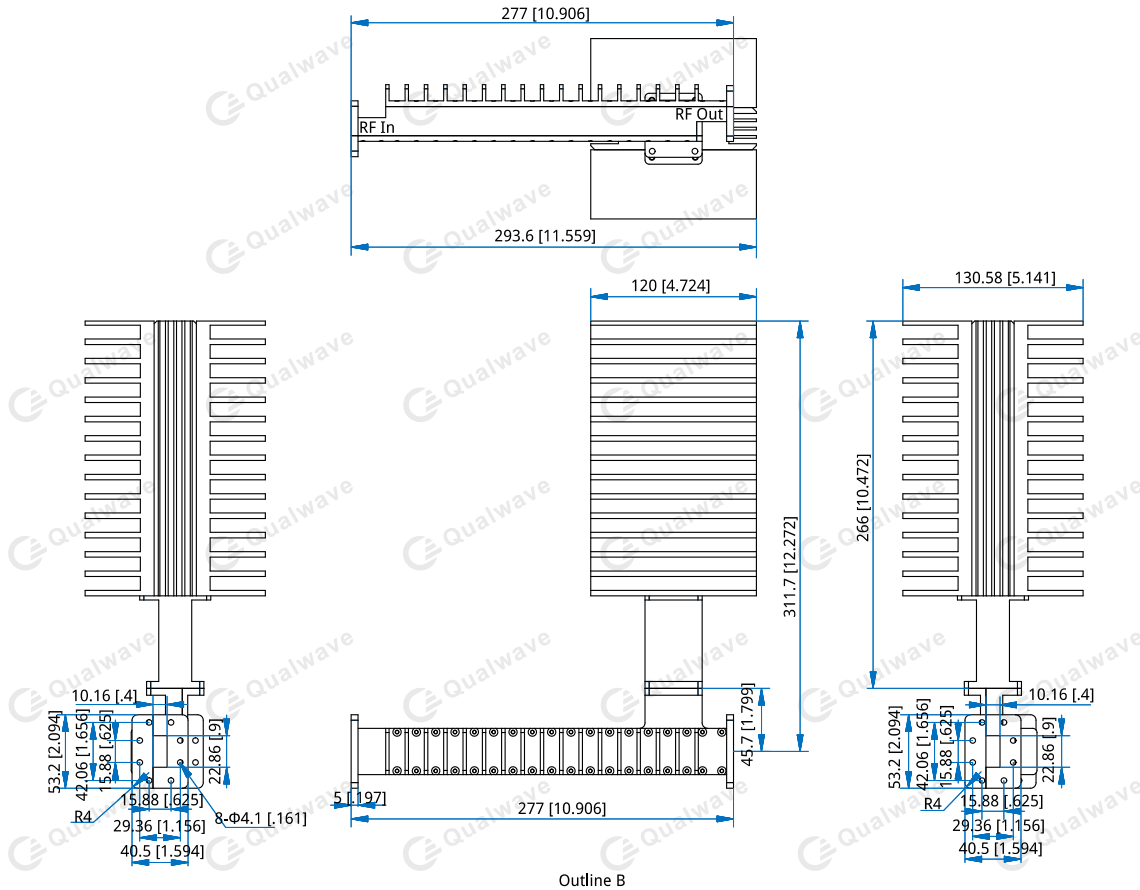
Frequency:	8.15~12.05GHz (Outline A) 8.2~12.5GHz (Outline B)
VSWR:	1.2 max.
Attenuation:	30±1.5dB (Outline A) 30±1, 55dB (Outline B)
Average Power:	1000W

Mechanical

Interface:	WR-90 (BJ100)
Flange:	FDP100, Customized
Material:	Aluminium
Finish:	Conductive oxidation
Coating:	Black paint (Outline A) Gray paint (Outline B)

Outline Drawings





Unit: mm [in]
 Tolerance: $\pm 0.5\text{mm}$ [$\pm 0.02\text{in}$]

How To Order

QWFA90-1K-X-Y-Z

X: Attenuation in dB (30 \pm 1.5 - Outline A, 30 \pm 1, 55 - Outline B)

Y: Material

Z: Flange type

Material naming rules:

A - Aluminium (Outline A, B)

Flange naming rules:

20 - Customized (Outline A)

2 - FDP100 (Outline B)

Examples:

To order a Waveguide Fixed Attenuator, 8.2~12.5GHz, 30 \pm 1dB, Aluminium, FDP100, specify QWFA90-1K-30-A-2.

Customization is available upon request.