

QWFA28-K2 WR-28, 200W

Features:

- * Low VSWR
- * High Attenuation Flatness

Applications:

- * Wireless
- * Transmitter
- * Laboratory Test
- * Radar

Electrical

Frequency:	26.3~40GHz
VSWR:	1.2 max.
Attenuation:	40dB
Average Power:	200W

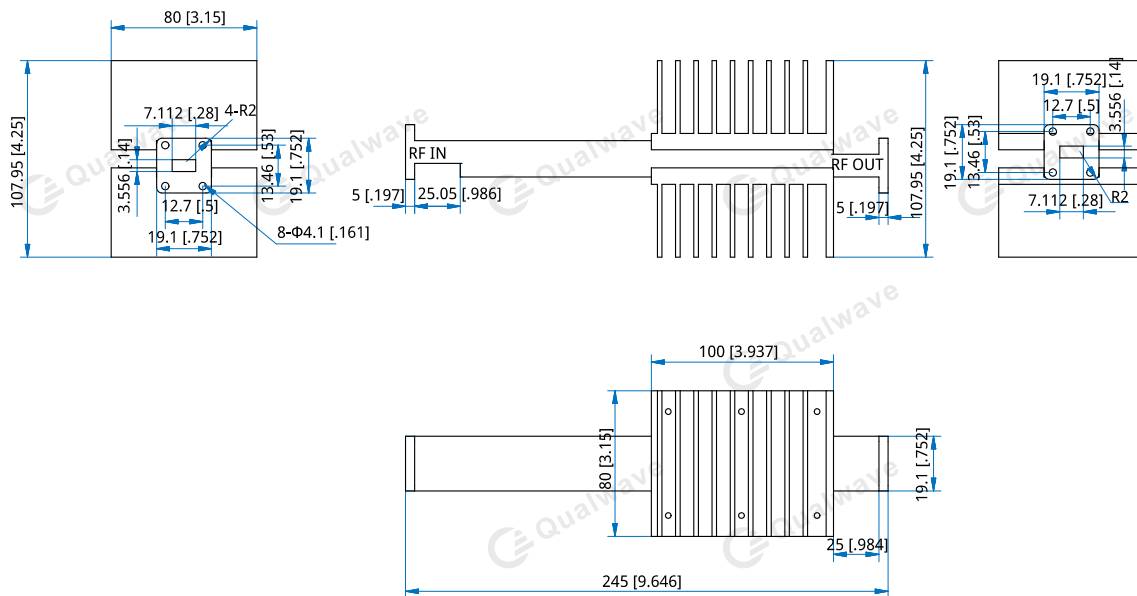
Mechanical

Interface:	WR-28 (BJ320)
Flange:	FBP320
Material:	Aluminium
Finish:	Conductive oxidation
Coating:	Black paint

Environmental

Operating Temperature: -40~+125°C

Outline Drawings



Outline A

Unit: mm [in] Tolerance: ±0.5mm [±0.02in]

How To Order

QWFA28-K2-X-Y-Z

X: Attenuation in dB:

40 - Outline A

Y: Material

Z: Flange type

Material naming rules:

A - Aluminium (Outline A)

Flange naming rules:

1 - FBP (Outline A)

Examples:

To order a Waveguide Fixed Attenuator, 26.3~40GHz, 40dB, Aluminium, FBP320, specify QWFA28-K2-40-A-1.

Customization is available upon request.