

QWFA12-5

WR-12, 5W

Features:

- * Low VSWR
- * High Attenuation Flatness

Applications:

- * Wireless
- * Transmitter
- * Laboratory Test
- * Radar

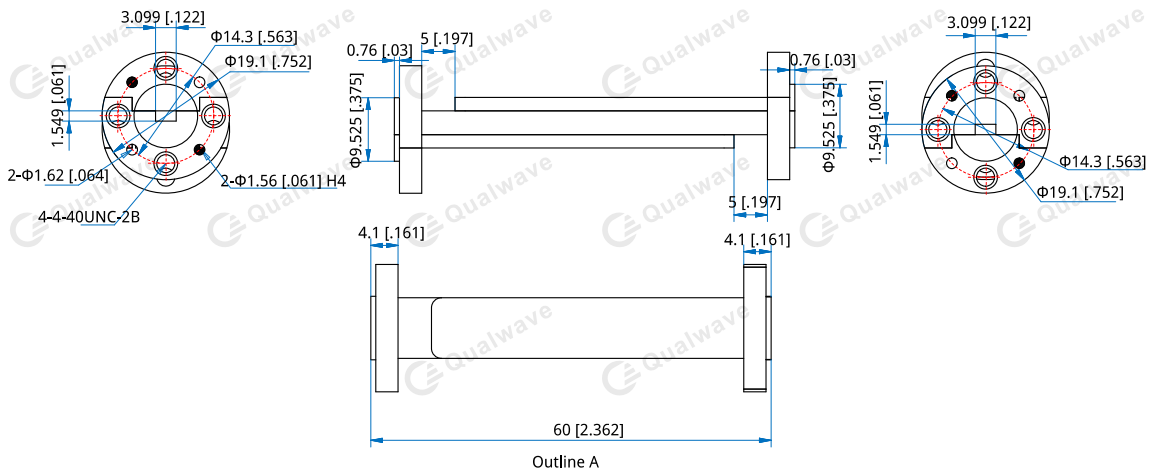
Electrical

Frequency:	60.5–91.9GHz
VSWR:	1.2 max.
Attenuation:	40dB
Average Power:	5W

Mechanical

Connectors:	WR-12 (BJ740)
Flange:	FUGP740
Material:	Copper
Coating:	Gold plated

Outline Drawings



Unit: mm [in]

Tolerance: ±0.5mm [±0.02in]

How To Order

QWFA12-5-X-Y-Z

X: Attenuation in dB (40 - Outline A)

Y: Material

Z: Flange type

Material naming rules:

C - Copper (Outline A)

Flange naming rules:

7 - FUGP740 (Outline A)

Examples:

To order a Waveguide Fixed Attenuator, 60.5–91.9GHz, 40dB, Copper, FUGP740, specify QWFA12-5-40-C-7.

Customization is available upon request.