

# QVO-37.5-75-9

## 37.5~75MHz, 9dBm

**Features:**

- \* High Frequency Stability
- \* Ultra Low Phase Noise

**Applications:**

- \* Wireless
- \* Transceiver
- \* Laboratory Test
- \* Radar

**Electrical**

Output Frequency:	37.5~75MHz
Tuning Voltage:	0~+18V
Phase Noise:	-110dBc/Hz @10KHz max.
Output Power:	9dBm min.
Harmonic:	-10dBc max.
Spurious:	-70dBc max.
Voltage:	+12V VCC
Current:	260mA max.

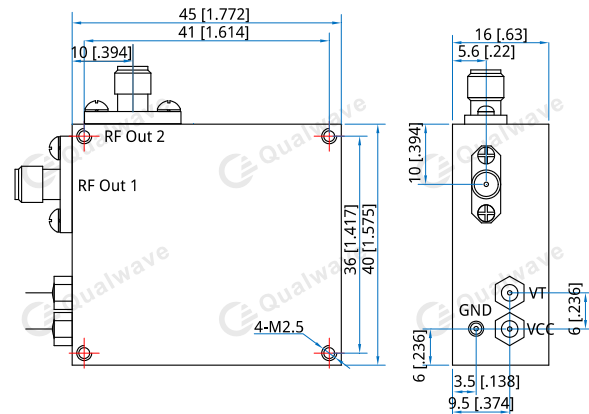
**Mechanical**

Size <sup>*1</sup> :	45*40*16mm 1.772*1.575*0.63in
RF Connectors:	SMA Female
Power Supply & Control Interface:	Feed Through/Terminal Post
Mounting:	4-M2.5mm through-hole

[1] Exclude connectors.

**Environmental**

Operating Temperature:	-40~+75°C
Non-operating Temperature:	-55~+85°C

**Outline Drawings**


Unit: mm [in]

Tolerance: ±0.5mm [±0.02in]

**How To Order**

**QVO-37.5-75-9**

Customization is available upon request.