

QSC10

High Power, High Isolation

Features:
 * High Power
 * High Isolation
 * Low Insertion Loss
 * Low VSWR

Applications:
 * Wireless
 * Radar
 * Laboratory Test

Description

QSC10 series Surface Mount Circulators cover frequency range 1805~5100MHz. High power, high isolation and low insertion loss make it ideal for a lot of applications like amplifiers, transceivers, etc.

Specifications

Frequency (MHz)	Bandwidth (MHz)	IL (dB Max.)	Isolation (dB Min.)	VSWR (Max.)	Average Power (W)	Temperature (°C)
1805-1880	75	0.50	18.0	1.30	30	-40 ~ +85
2110-2170	60	0.50	18.0	1.30	30	-40 ~ +85
3400-3600	200	0.50	17.0	1.35	20	-40 ~ +85
4800-5100	300	0.40	20.0	1.25	30	-40 ~ +85

Mechanical

Size: $\Phi 10 \times 7 \text{mm}$
 $\Phi 0.394 \times 0.276 \text{in}$

How To Order

QSC10-W-X-Y-Z

W: Start frequency in MHz
 X: Stop frequency in MHz
 Y: Average power in W
 Z: Direction type

Direction Naming Rules:

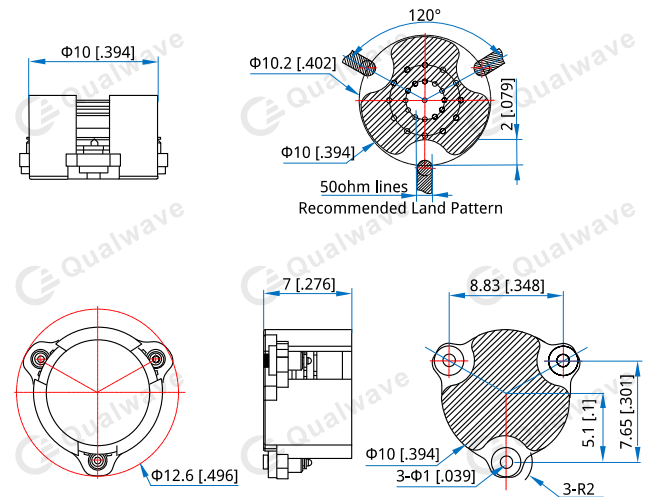
- 1 - Clockwise
- 2 - Anticlockwise

Examples:

To order a QSC10 series Circulator, 3.4~3.6GHz, 20W, Clockwise, specify QSC10-3400-3600-20-1.

Customization is available upon request.

Outline Drawings



Unit: mm [inch]

Tolerance: $\pm 0.2 \text{mm}$ [$\pm 0.008 \text{in}$]