

QPS1-1000-40000-A

SPST, 1~40GHz, Absorptive

Features:

- * Low Insertion Loss
- * High Isolation

Applications:

- * Wireless
- * Transmitter
- * Laboratory Test
- * Radar

Electrical

Frequency:	1~40GHz
Insertion Loss:	5dB max.
Isolation:	45dB min.
VSWR:	2.5 max.
Input Power:	23dBm max.
Voltage/Current:	+5V@50mA max.
	-5V@50mA max.
Control:	TTL High - 1
	TTL Low/NC - 0
Impedance:	50Ω

Mechanical

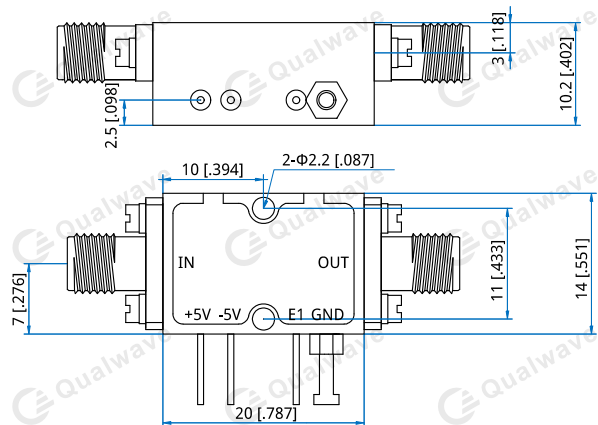
Size ^{*1} :	20*14*10.2mm
	0.787*0.551*0.402in
Switching Time:	50ns max.
RF Connectors:	2.92mm Female
Power Supply Connectors:	Feed Through/Terminal Post
Housing Material:	Gold plated aluminum or Nickel plated aluminum
Mounting:	2-Φ2.2mm through-hole

[1] Exclude connectors.

Environmental

Operating Temperature:	-45~+85°C
Non-operating Temperature:	-55~+125°C

Outline Drawings



Unit: mm [in]

Tolerance: ±0.2mm [±0.008in]

Control True Table

E1	Connection
0	Off
1	ON

How To Order

QPS1-1000-40000-A

Customization is available upon request.