

QPS4-26000-40000-A

SP4T, 26~40GHz, Absorptive

Features:
 * Low Insertion Loss
 * High Isolation

Applications:
 * Wireless
 * Transmitter
 * Laboratory Test
 * Radar

Electrical

| | |
|------------------|---------------------------------|
| Frequency: | 26~40GHz |
| Insertion Loss: | 6dB max. |
| Isolation: | 65dB min. |
| VSWR: | 2 max. |
| Input Power: | 23dBm max. |
| Voltage/Current: | +5V@200mA max. -5V@50mA max. |
| Control: | TTL High - 1 TTL Low/NC - 0 |
| Impedance: | 50Ω |

Mechanical

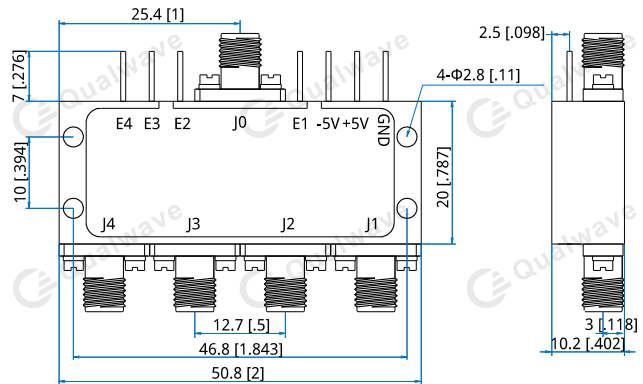
| | |
|--------------------------|---|
| Size ^{*1} : | 50.8*20*10.2mm 2*0.787*0.402in |
| Switching Time: | 100ns max. |
| RF Connectors: | 2.92mm Female |
| Power Supply Connectors: | Feed Through/Terminal Post |
| Housing Material: | Gold plated aluminum or Nickel plated aluminum |
| Mounting: | 4-Φ2.8mm through-hole |

[1] Exclude connectors.

Environmental

| | |
|----------------------------|------------|
| Operating Temperature: | -40~+85°C |
| Non-operating Temperature: | -55~+125°C |

Outline Drawings



Unit: mm [in]

Tolerance: ±0.2mm [±0.008in]

Control True Table

| E4 | E3 | E2 | E1 | Connection |
|----|----|----|----|------------|
| 1 | 1 | 1 | 0 | J0 - J1 On |
| 1 | 1 | 0 | 1 | J0 - J2 On |
| 1 | 0 | 1 | 1 | J0 - J3 On |
| 0 | 1 | 1 | 1 | J0 - J4 On |

How To Order

QPS4-26000-40000-A

Customization is available upon request.