

QPS2-1000-20000-R-2

SPDT, 1~20GHz, Reflective

Features:
 * Low Insertion Loss
 * High Isolation

Applications:
 * Wireless
 * Transmitter
 * Laboratory Test
 * Radar

Electrical

Frequency:	1~20GHz
Insertion Loss:	3dB max.
Isolation:	70dB min.
VSWR:	2 max.
Input Power:	30dBm max.
Voltage/Current:	+5V@100mA max. -5V@50mA max.
Control:	TTL High - 1 TTL Low/NC - 0

Mechanical

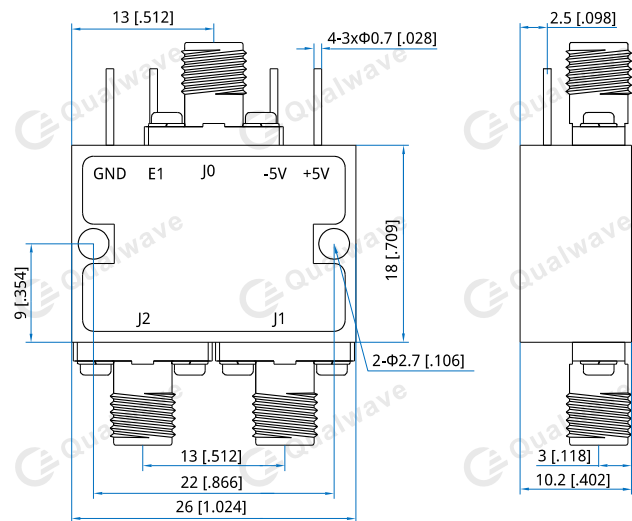
Size ^{*1} :	26*18*10.2mm 1.024*0.709*0.402in
Switching Time:	100nS max.
RF Connectors:	SMA Female
Power Supply Connectors:	Feed Through/Terminal Post
Housing Material:	Nickel plated aluminum
Mounting:	2-Φ2.7mm through-hole

[1] Exclude connectors.

Environmental

Operating Temperature:	-45~+85°C
Non-operating Temperature:	-55~+125°C

Outline Drawings



Unit: mm [in]

Tolerance: ±0.2mm [±0.008in]

Control True Table

E1	Connection
0	J0 - J1 On
1	J0 - J2 On

How To Order

QPS2-1000-20000-R-2

Customization is available upon request.