

# QPS2-0.95-200-A

## SP2T, 0.95~200MHz, Absorptive

**Features:**

- \* Low Insertion Loss
- \* High Isolation

**Applications:**

- \* Wireless
- \* Transmitter
- \* Laboratory Test
- \* Radar

**Electrical**

Frequency:	0.95~200MHz
Insertion Loss:	1dB max.
Isolation:	40dB min.
VSWR:	1.5 max.
100MHz In-band Flatness:	0.3dB max.
Power Without Damage:	2W
Impedance:	50Ω
Voltage:	+5V DC
Current:	200mA max.
Control:	TTL logic
	High: locked
	Low: unlocked

**Mechanical**

Size*1:	36*25*13mm 1.417*0.984*0.512in
Switching Time:	1uS max.
RF Connectors:	SMA Female
Power Supply Connectors:	Feed Through/Terminal Post
Mounting:	4-Φ2.2mm through-hole

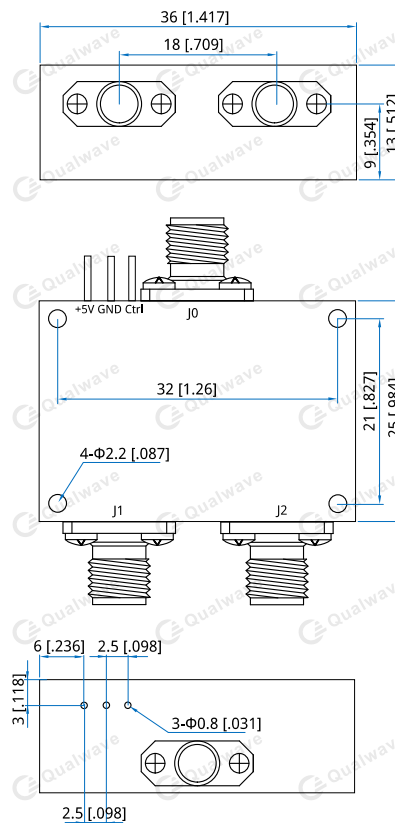
[1] Exclude connectors.

**Environmental**

Operating Temperature:	-40~+70°C
Non-operating Temperature:	-55~+85°C

**Control True Table**

Ctrl	Connection
0	J0 - J1 On, J0 - J2 Off
1	J0 - J2 On, J0 - J1 Off

**Outline Drawings**


Unit: mm [in]

Tolerance: ±0.2mm [±0.008in]

**How To Order**

**QPS2-0.95-200-A**

Customization is available upon request.